



Surface mounting indoor luminaire for commercial and institutional applications. Base mounted with a patented system that allows rotation and aiming of the luminaire in nearly all directions.
DESIGN BY RENZO PIANO

| | |
|----------------------------------|--|
| Luminaire characteristic: | Power input: 28.9W to 37.5W (system wattage) Lumens: 2406lm to 3383lm (for 3000K, 90CRI) Luminaire efficacy: Up to 90lm/W |
| Source: | White LED (LM-80 tested), 3000K : 90CRI, |
| Lumen maintenance: | 80% of initial lumens at 50 000 hours (L80)(LM79) |
| Optic: | Available in medium, flood, or wide flood. |
| Material: | Body: Die-cast aluminum with thermoplastic accessory holder ring and driver housing. Reflector: formed aluminum Diffuser: tempered glass Hardware: steel suspension cable |
| Configuration: | 360° vertical (pan), and 90° horizontal (tilt) pivoting axes with mechanical aiming lock. |
| Mounting: | Projector and pendant: available with canopy on a standard octagonal junction box (UNV) or on track IGuzzini 2 circuits (120V or 277V). Projector: wall or ceiling mounted |
| Electrical: | High efficiency LED driver, rated 50 000 hours, 120-277V. |
| Dimming: | Supply standard leading (Triac) and trailing edge (ELV), down to 15% (120V only) |
| Finish: | White (RAL9010) or gray (RAL9006) |
| Weight: | 2lb to 3.2lb (1.45kg) |
| Warranty: | 5 year limited warranty. |
| Rating: | IP20 |
| Certification: | cULus listed for dry location |



ORDERING INFO

- - **930** - - -

FIXTURE

MODEL

- ILPM**- Le Perroquet medium **ILPL**- Le Perroquet large

MOUNTING

- C** - Canopy **CP** - Canopy pendant **T** - Track **TP** - Track pendant

LED

- 930** - 3000K, 90CRI

OPTIC

- MD** - Medium
- Le Perroquet medium (14°)
- Le Perroquet Large (16°)
- FL** - Flood
- Le Perroquet medium (36°)
- Le Perroquet Large (32°)
- WF** - Wide flood
- Le Perroquet medium (48°)
- Le Perroquet Large (44°)

VOLTAGE

- 120** - 120V **277** - 277V **UNV** - 120V-277V

FINISH

- 01** - White **10** - Gray

DIMMING

- LTE** - Leading and trailing edge (120V only)⁽¹⁾

⁽¹⁾ 15% dimming options: For leading and trailing edge (LTE), the dimming levels will vary depending on the dimmer used and the number of luminaires on the line.

ACCESSORIES (TO BE ORDERED SEPARATELY)

For installation consult instruction sheet.

ADJUSTABLE BARN DOORS

For Le Perroquet medium

- 9529-02** - Black

For Le Perroquet large

- 9530-02** - Black



REFRACTOR FOR ELLIPTICAL DISTRIBUTION

For Le Perroquet medium

- 9539-24**

For Le Perroquet large

- MXB4-24**



45° VISOR

For Le Perroquet medium

- 9533-01** - White

- 9533-02** - Black

- 9533-10** - Gray

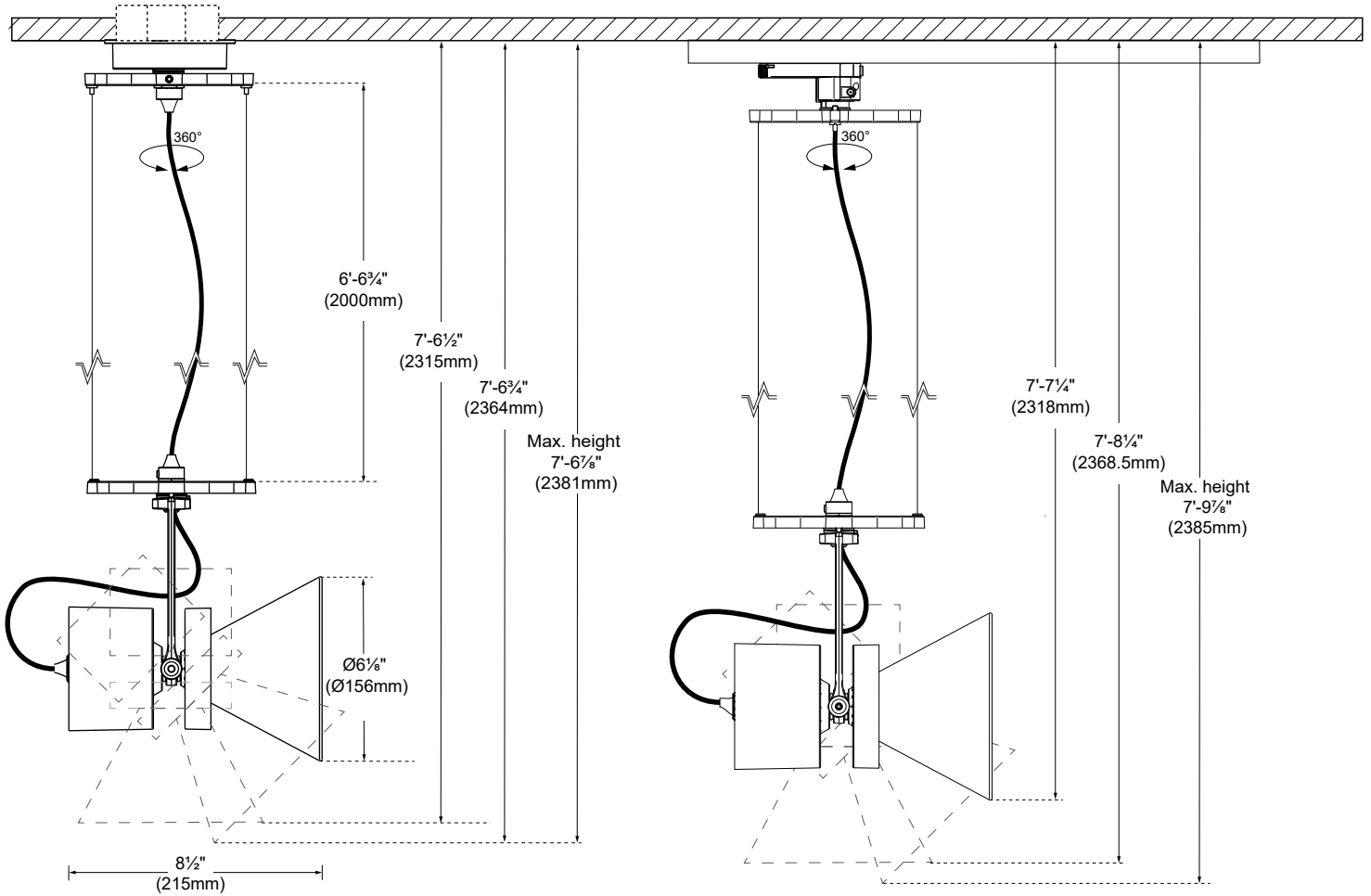
For Le Perroquet large

- 9534-01** - White

- 9534-10** - Gray

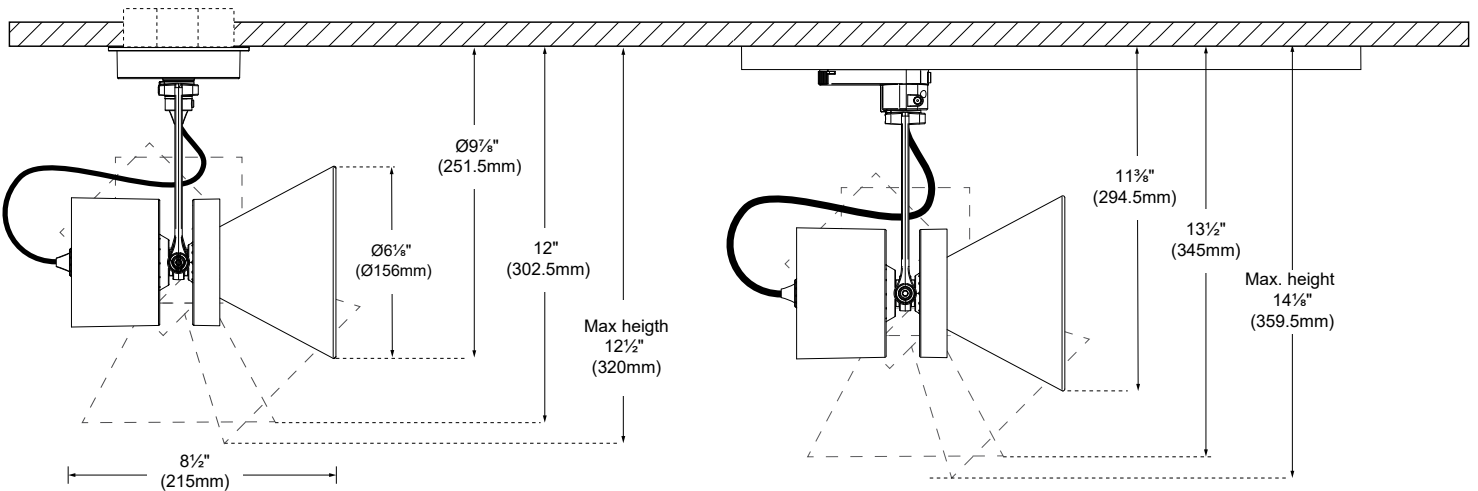


DIMENSIONS



ILPM-CP
CANOPY PENDANT

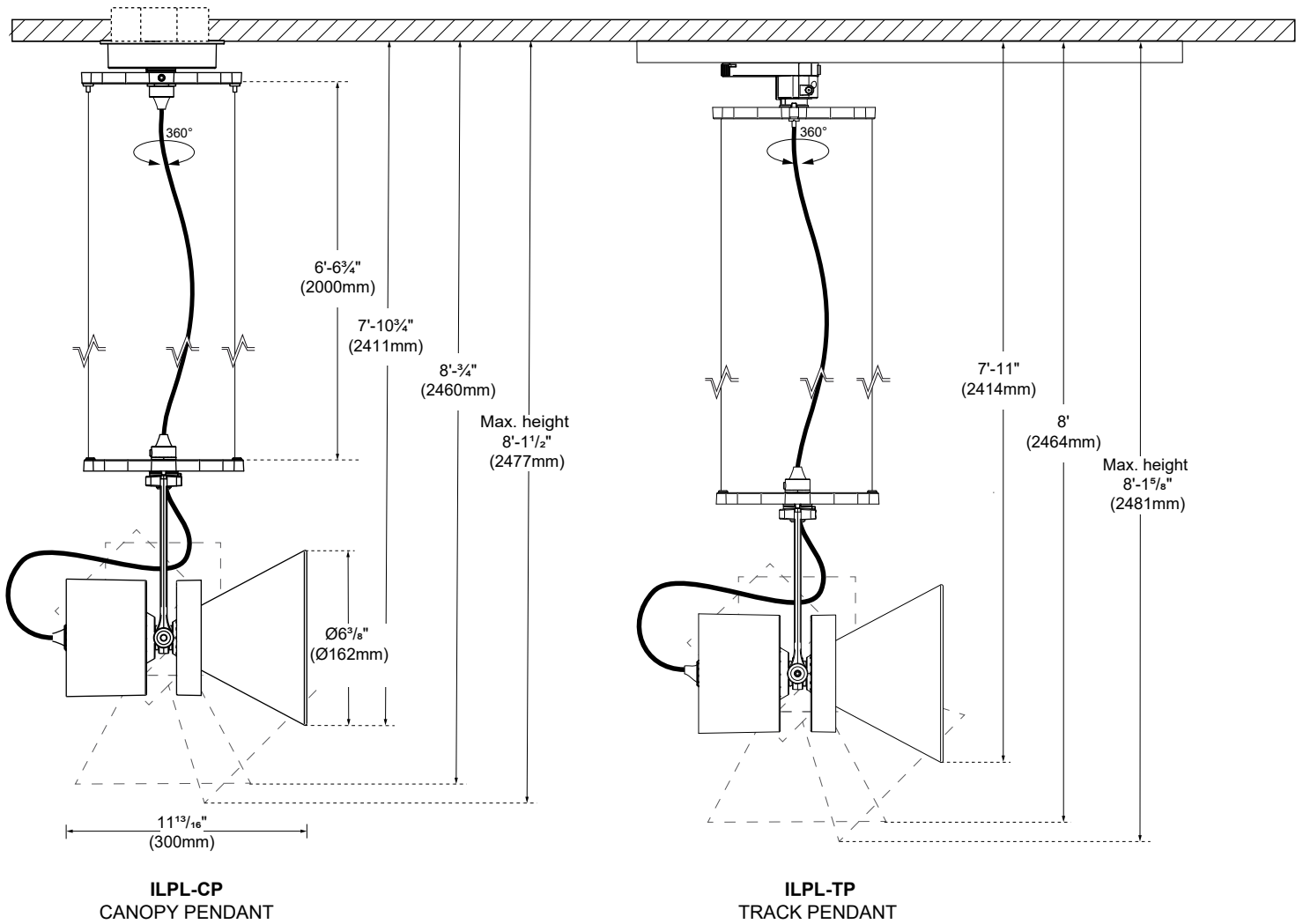
ILPM-TP
TRACK PENDANT



ILPM-C
CANOPY

ILPM-T
TRACK

DIMENSIONS



LED COLOR FIDELITY DATA

| CRI | CCT | R1 | R2 | R3 | R4 | R5 | R6 | R7 | R8 | R9 | R10 | R11 | R12 | R13 | R14 | R15 | Rf | Rg | Melanopic ratio |
|-----|-------|----|----|----|----|----|----|----|----|----|-----|-----|-----|-----|-----|-----|----|----|-----------------|
| 90 | 3000K | 94 | 97 | 99 | 94 | 94 | 96 | 93 | 83 | 62 | 92 | 95 | 84 | 95 | 99 | - | 93 | 99 | 0.563 |

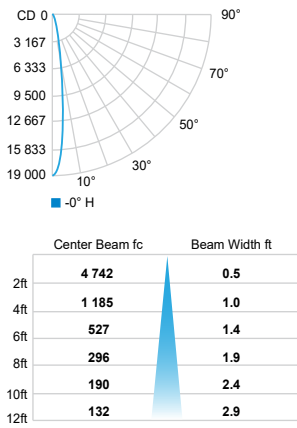
PHOTOMETRIC DATA

Visit iguzzini.com/us for complete photometric data.

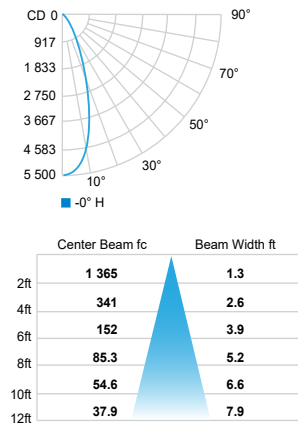
ILPM - LE PERROQUET MEDIUM

| CCT (K) | CRI | LOAD (W) | OPTIC | LUMENS (lm) | EFFICACY (lm / w) | MAX CANDELA (cd) | MODELS |
|---------|-----|--------------|----------------|-------------|-------------------|------------------|----------------|
| 3000K | 90 | 31W | Medium 14° | 2 565 | 82 | 18 967 | ILPM-XX-930-MD |
| | | 28.9W | Flood 36° | 2 439 | 84 | 5 460 | ILPM-XX-930-FL |
| | | | Wide flood 48° | 2 406 | 83 | 4 005 | ILPM-XX-930-WF |

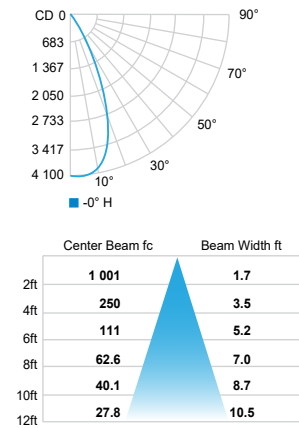
Medium 14° (3000K, 90 CRI)



Flood 36° (3000K, 90 CRI)



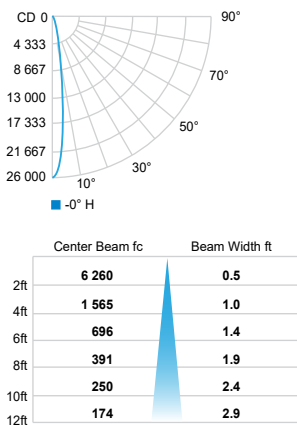
Wide flood 48° (3000K, 90 CRI)



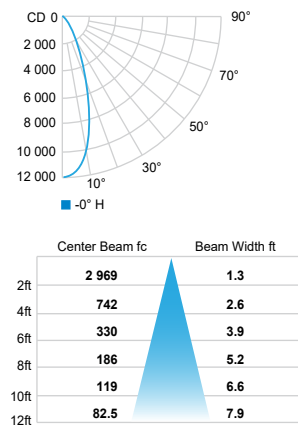
ILPL - LE PERROQUET LARGE

| CCT (K) | CRI | LOAD (W) | OPTIC | LUMENS (lm) | EFFICACY (lm / w) | MAX CANDELA (cd) | MODELS |
|---------|-----|--------------|----------------|-------------|-------------------|------------------|----------------|
| 3000K | 90 | 37.5W | Medium 16° | 3 244 | 86 | 25 039 | ILPL-XX-930-MD |
| | | | Flood 32° | 3 382 | 90 | 11 876 | ILPL-XX-930-FL |
| | | | Wide flood 44° | 3 383 | 90 | 6 731 | ILPL-XX-930-WF |

Medium 16° (3000K, 90 CRI)



Flood 32° (3000K, 90 CRI)



Wide flood 44° (3000K, 90 CRI)

