

Last information update: March 2025

**Product configuration: UH05**

UH05: Spotlight with bracket - Neutral White LED - Integrated Ballast - Spot optic - Ta 25°

**Product code**

UH05: Spotlight with bracket - Neutral White LED - Integrated Ballast - Spot optic - Ta 25°

**Technical description**

Spotlight designed to use LED lamps and a Spot optic. Consists of a die-cast aluminium optical assembly and box for the power supply, a steel bracket and a clear, tempered sodium-calcium safety glass cover. The luminaire is fitted with a double cable gland for pass-through wiring. The optical assembly can be adjusted on a horizontal plane at an angle between -50° / +90°. Agorà is fitted with a graduated scale and mechanical locking device for positioning. The Opti Beam Lens optical system comes complete with a Neutral White monochrome LED circuit. The electronic DALI ballast is integrated in the product and compatible with remote management systems. Compatible with programming systems via DALI terminals or an NFC system. Both indoor (diffuser glass covers, lamellar louvers and refractors for elliptical light) and outdoor accessories (cylindrical screens, visors and protective grilles) can be used. All external screws used are made of A2 stainless steel.

**Installation**

Floor, ceiling or wall-mounted installation.

**Colour**

White (01) | Black (04) | Grey (15) | Rust Brown (F5)

**Weight (Kg)**

7

**Wiring**

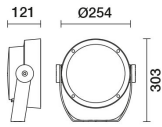
Double PG.

Complies with EN60598-1 and pertinent regulations



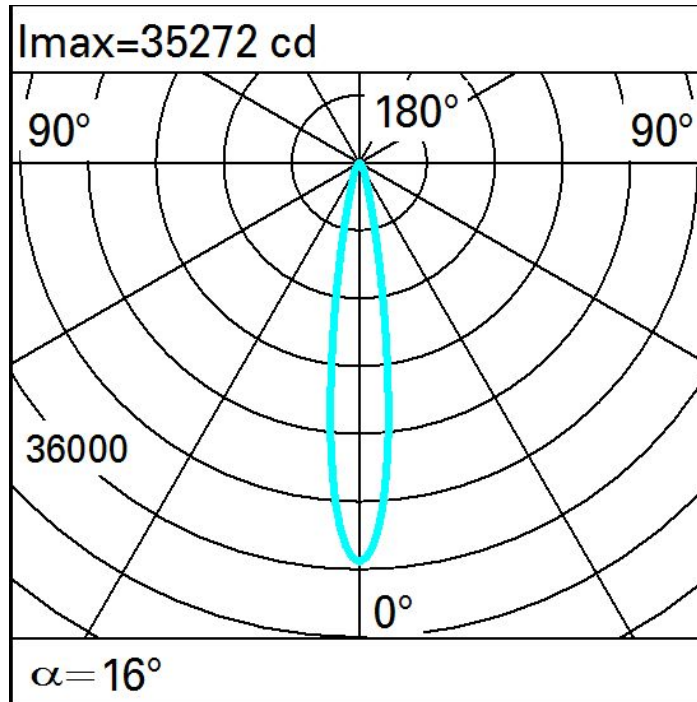
IK08

IP66

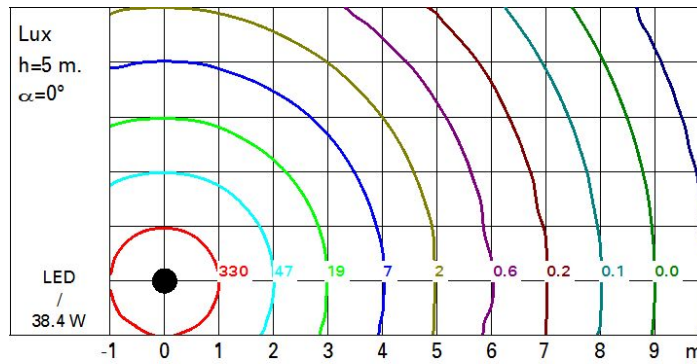
**Technical data**

lm system:	4351	Life Time LED 1:	100,000h - L90 - B10 (Ta 25°C)
W system:	38.4	Lamp code:	LED
lm source:	5650	Number of lamps for optical assembly:	1
W source:	34	ZVEI Code:	LED
Luminous efficiency (lm/W, real value):	113.3	Number of optical assemblies:	1
lm in emergency mode:	-	Intervallo temperatura ambiente:	from -30°C to 35°C.
Total light flux at or above an angle of 90° [Lm]:	0	Power factor:	See installation instructions
Light Output Ratio (L.O.R.) [%]:	77	Inrush current:	21 A / 300 µs
Beam angle [°]:	16°	Maximum number of luminaires of this type per miniature circuit breaker:	B10A: 13 luminaires B16A: 21 luminaires C10A: 21 luminaires C16A: 35 luminaires
CRI (minimum):	80	Overvoltage protection:	10kV Common mode & 6kV Differential mode
Colour temperature [K]:	4000	Control:	DALI-2
MacAdam Step:	3		

Polar



Isolux



Illuminances

