

The Linealuce 37 line is only 1.5" (37mm) wide. This luminaire can be surface mounted flat or on adjustable arms. It is available in 5 different lengths and adapts easily to any project. Highly versatile product, Linealuce 37 is suitable to light indoor and outdoor surfaces.
 Design: Jean-Michel Wilmotte.

Luminaire characteristic:

Power input: 2W/ft or 4W/ft (system wattage)
Lumens: 165lm to 475lm/ft (for 3000K, 80CRI)
Luminaire efficacy: Up to 102lm/W

Source:	White LED (LM-80 tested), 3000K: 80CRI, 4000K: 80CRI.
Lumen maintenance:	80% of initial lumens at 100 000 hours (L80).
Optic:	Available in spot, flood and wall grazing.
Material:	Body: Extruded aluminum. End caps: Die-cast aluminum alloy. Connection box: Polyphenylene sulfide. Protective screen: 1/8" (3mm) sodium-calcium tempered sealing glass with silk screen. Diffusing filter: PMMA (polymethyl methacrylate). Lens: Methacrylate. Hardware: Stainless steel.
Mounting:	Surface mounted, using mounting accessories (included). Adjustable arm. Supplied with 6.5' (2000mm) long cable. See mounting options on page 4.
Electrical:	See remote LED driver options on page 3.
Dimming:	Remote LED driver 0-10V, down to 10%.
Temperature of operation:	-22°F to 113°F (-30°C to 45°C)
Glass surface temperature:	104°F (40°C) maximum.
Finish:	Gray painted (RAL9007) with a high level of weather and UV resistance. The semi-gloss finish coating is electrostatically applied, durable acrylic enamel baked at high temperatures for superior color retentive finish.
Weight:	0.99lb/ft (0.45kg)
Warranty:	5 year limited warranty.
Ratings:	IP66, IK05
Certification:	cULus listed for wet location.



ORDERING INFO

ILM - - - - - **15**
FIXTURE

MODEL

ILM

OUTPUT

BO - Base output

HO - High output

OPTICS

SP - Spot 17°⁽¹⁾

FL - Flood 38°⁽¹⁾

WG - Wall grazing

LED

L3 - 3000K, 80CRI

L4 - 4000K, 80CRI

LENGTH

_____ refer to configurations table on page 5.

MOUNTING

M1 - Anodized aluminum support for surface mounting plate

M2 - Stainless steel adjustable arms L: 3½"(90mm)

M3 - Stainless steel adjustable arms L: 4½"(115mm)

M4 - Stainless steel adjustable arms L: 8"(200mm)

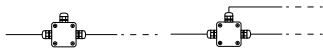
FINISH

15 - Gray

⁽¹⁾ Available with high output (HO).

ACCESSORIES (TO BE ORDERED SEPARATELY)

4543 - Wet location junction box



REMOTE LED DRIVERS OPTIONS (TO BE ORDERED SEPARATELY)

Watts*	Voltage	Rated	Dimming protocol	Dimming range	Dimensions	Max distance 18AWG**
<input type="checkbox"/>	4448-0024-060-UNV-ND					
60	120-277V	Indoor	None	None	10" x 8" x 4" (254 x 203 x 102mm)	30ft(9m)
<input type="checkbox"/>	4545-0024-075-UNV-ND					
75	120-277V	Outdoor	None	None	11¼" x 3" x 1⅝" (285 x 75 x 41mm)	30ft(9m)
<input type="checkbox"/>	4548-0024-096-UNV-D10-PWM					
96	120-277V	Outdoor	0-10V	Down to ±10%	6" x 4,5" x 3" (153 x 115 x 76mm)	30ft(9m)
<input type="checkbox"/>	4448-0024-120-120-ND					
120	120	Indoor	None	None	10" x 8" x 4" (254 x 203 x 102mm)	30ft(9m)
<input type="checkbox"/>	4546-0024-200-2C-UNV-ND					
200	120-277V	Outdoor	None	None	12¼" x 2½" x 2⅜" (311 x 114 x 60mm)	30ft(9m) Per channel
<input type="checkbox"/>	4448-0024-240-120-ND					
240	120V	Indoor	None	None	12" x 8" x 4" (305 x 203 x 102mm)	30ft(9m)

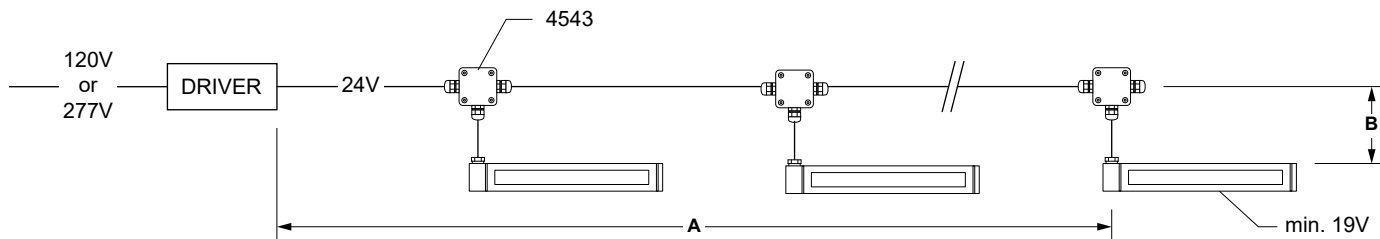
* Wattage requirement for one (1) fixture: 4W/ft, 24V (remote fixture only).

**The total power of all connected luminaires may not be higher than the power of the driver.

***For longer remote distance, contact factory

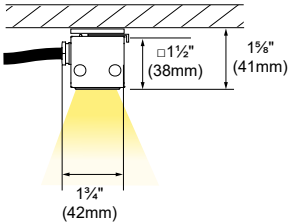
WIRING EXAMPLE

MAX DISTANCE = A+B

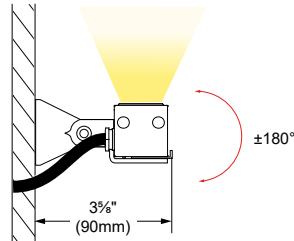


MOUNTING AND DIMENSIONS

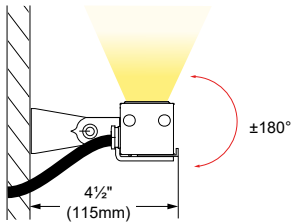
M1 - Anodized aluminum support for surface mounting plate



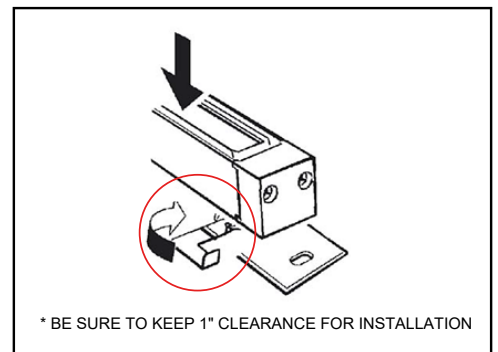
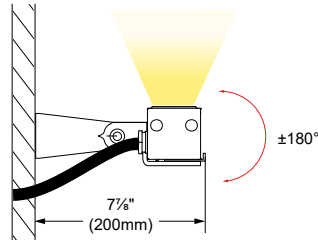
M2 - Stainless steel adjustable arms.
L: 3 5/8" (90mm)



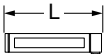
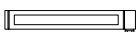



M3 - Stainless steel adjustable arms.
L: 4 1/2" (115mm)



M4 - Stainless steel adjustable arms.
L: 7 7/8" (200mm)



LENGTHS

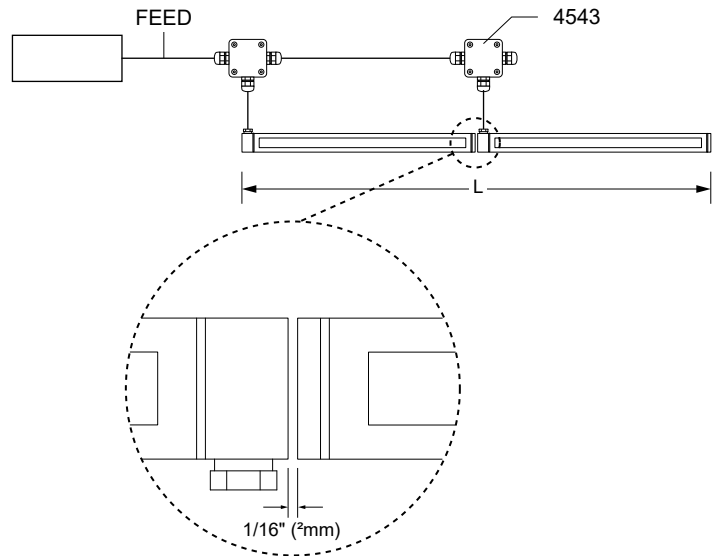
- 1.8'**  L: 1' 8¾" (528mm)
- 2.6' (*)**  L: 2' 7¼" (792mm)
- 3.5'**  L: 3' 5⅝" (1056mm)
- 4.4' (*)**  L: 4' 4" (1321mm)
- 5.2' (**)**  L: 5' 2½" (1585mm)

* Only available for wall grazing (WG) optic with High Output (HO).
 ** Only available for wall grazing (WG) optic.

CONTINUOUS ROWS EXAMPLE

Single elements can be combined to obtain dark spot free continuous row.
 *Note that 2mm spacing minimum is required for continuous rows installation.

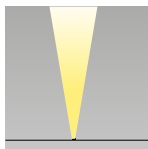
Nominal length	Exact length	Single elements qty
7'	6' 11¼" (2114mm)	2 x 3.5'
9'	8' 8" (2643mm)	1 x 5.2' + 1 x 3.5'
10.5'	10' 4⅞" (3172mm)	2 x 5.2'
12.5'	12' 1¾" (3702mm)	2 x 5.2' + 1 x 1.8'
15'	14' 9" (4495mm)	2 x 5.2' + 1 x 4.4'
17.5'	17' 4¼" (5290mm)	4 x 4.4'
19.5'	19' 1" (5817mm)	3 x 5.2' + 1 x 3.5'
21'	20' 9⅞" (6346mm)	4 x 5.2'
22.5'	22' 6¾" (6876mm)	4 x 5.2' + 1 x 1.8'
26'	26' ⅜" (7933mm)	5 x 5.2'



PHOTOMETRIC DATA

Visit iguzzini.com for complete photometric data.

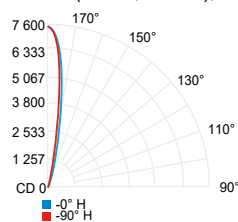
SPOT



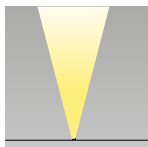
CCT (K)	CRI	OUTPUT	LOAD (W/ft)	LUMENS (lm/ft)	EFFICACY (lm/w)	MAX CANDELA (cd)	MODELS
3000K	80	HO	3.5W/ft	360	102	7 570	I.LM-HO-L3
4000K				360	102	7 570	I.LM-HO-L4

*Available single unit length: 1.8' - 3.5'.

HO 17° (3000K, 80 CRI), 3.5'L.



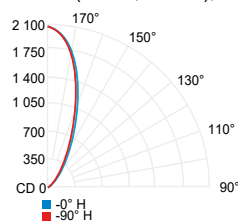
FLOOD



CCT (K)	CRI	OUTPUT	LOAD (W/ft)	LUMENS (lm/ft)	EFFICACY (lm/w)	MAX CANDELA (cd)	MODELS
3000K	80	HO	3.5W/ft	305	87	2 090	I.LM-HO-L3
4000K				305	87	2 090	I.LM-HO-L4

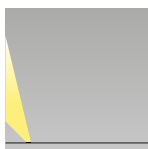
*Available single unit length: 1.8' - 3.5'.

HO 38° (3000K, 80 CRI), 3.5'L.



WALL GRAZING 20°

GRAZING HEIGHT UP TO 16 FT

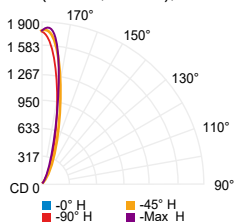


CCT (K)	CRI	OUTPUT	LOAD (W/ft)	LUMENS (lm/ft)	EFFICACY (lm/w)	MAX CANDELA (cd)	MODELS
3000K	80	BO	2W/ft	165	82	1 805	I.LM-BO-L3
		HO	3.5W/ft	275	78	2 955	I.LM-HO-L3
4000K		BO	2W/ft	165	82	1 805	I.LM-BO-L4
		HO	3.5W/ft	275	78	2 955	I.LM-HO-L4

*Available single unit length BO: 1.8' - 3.5' - 5.2'.

*Available single unit length HO: 1.8' - 2.6' - 3.5' - 4.4' - 5.2'.

BO (3000K, 80CRI), 3.5'L.



HO (3000K, 80CRI), 3.5'L.

