

Surface mounted luminaire that emits a light blade without any unwanted dispersion. Design by Dean Skira.



Luminaire characteristic: Power input: 3.7W or 4.5W (source wattage)
Lumens: 124lm or 146lm (for 3000K, 80CRI)
Luminaire efficacy: Up to 33lm/W

Source: White LED (LM-80),
3000K: 80CRI,

Lumen maintenance: 80% of initial lumens at 50 000 hours (L80) (LM-79).

Optic: 180° blade effect.

Material: Body: Die-cast aluminum
Diffuser: PMMA lens
Hardware: Stainless steel screws

Mounting: Wall or ceiling mounted, installs on standard 4" octagonal junction box. Floor mounting in dry location only (interior).

Electrical: High efficiency dimmable remote LED driver, rated at 50 000 hours. See remote option on page 3.

Finish: White (RAL9016), black, rust brown or gray (RAL9007) painted finish with a high level of weather and UV resistance. The semi-gloss finish coating is electrostatically applied, durable acrylic enamel baked at high temperatures for superior color retentive finish.

Operating temperature: BO From -30°C to 50°C (-22°F to 122°F)
HO From -30°C to 35°C (-22°F to 95°F)

Weight: 0.55lb (0.24kg)

Warranty: 5 year limited warranty.

Ratings: IP66, IK07

Certification: cULus listed for wet location.



ORDERING INFO



PRODUCT CODE

--	--	--	--	--	--	--	--

MODEL	SIZE	OUTPUT	MOUNTING	LED	OPTIC	VOLTAGE	FINISH
-------	------	--------	----------	-----	-------	---------	--------

ITRC Trick	S Small	BO Base output HO High output	JB Surface mounted junction box	830 3000K, 80CRI	BL180 Blade 180°	REM Remote	01 White 02 Black 15 Gray F5 Rust brown
----------------------	-------------------	--	--	----------------------------	----------------------------	----------------------	--

ACCESSORY

(TO BE ORDERED SEPERATELY)

IMZ53-13 - Adjustable base strip



REMOTE LED DRIVER OPTIONS (TO BE ORDERED SEPARATELY)

180° BLADE EFFECT : ITRC-S-BO-XX-830-BL180							3.7W*
Watts	Voltage	Rated	Dimming protocol	Dimming range	Dimensions	Max distance**	Min-max units
<input type="checkbox"/> 4548-0450-018-120-LTE							
18	120V	Outdoor	Leading and trailing edge (LTE)	Down to 15%	6" X 4.5" X 3" (152 X 114 X 76mm)	30ft (9m)	3-4
<input type="checkbox"/> 4548-0450-024-UNV-D10							
24	120-277V	Outdoor	0-10V	Down to 10%	6" X 4.5" X 3" (152 X 114 X 76mm)	30ft (9m)	1-5
<input type="checkbox"/> 4549-0450-024-UNV-ED10							
24	120-227V	Outdoor	0-10V ELDOLED ECOdrive	Down to ±1%	14.5" X 5" X 3.5" (368 X 127 X 89mm)	118ft (30m)	1-5
<input type="checkbox"/> 4549-0450-024-UNV-SD10							
24	120-277V	Outdoor	0-10V ELDOLED SOLOdrive	Down to 0.1%	14.5" X 5" X 3.5" (368 X 127 X 89mm)	118ft (30m)	1-5

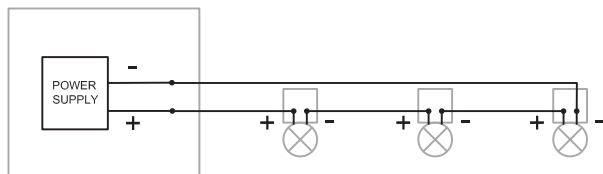
180° BLADE EFFECT : ITRC-S-HO-XX-830-BL180							4.5W*
Watts	Voltage	Rated	Dimming protocol	Dimming range	Dimensions	Max distance**	Min-max units
<input type="checkbox"/> 4548-0550-025-120-LTE							
25	120V	Outdoor	Leading and trailing edge (LTE)	Down to 15%	6" X 4.5" X 3" (152 X 114 X 76mm)	30ft (9m)	3-4
<input type="checkbox"/> 4548-0550-030-UNV-D10							
30	120-277V	Outdoor	0-10V	Down to 10%	6" X 4.5" X 3" (152 X 114 X 76mm)	30ft (9m)	1-5
<input type="checkbox"/> 4549-0550-030-UNV-ED10							
30	120-277V	Outdoor	0-10V ELDOLED ECOdrive	Down to ±1%	14.5" X 5" X 3.5" (368 X 127 X 89mm)	118ft (30m)	1-5
<input type="checkbox"/> 4549-0550-030-UNV-SD10							
30	120-277V	Outdoor	0-10V ELDOLED SOLOdrive	Down to 0.1%	14.5" X 5" X 3.5" (368 X 127 X 89mm)	118ft (30m)	1-5

* Wattage requirement for one (1) fixture (Remote fixture only).

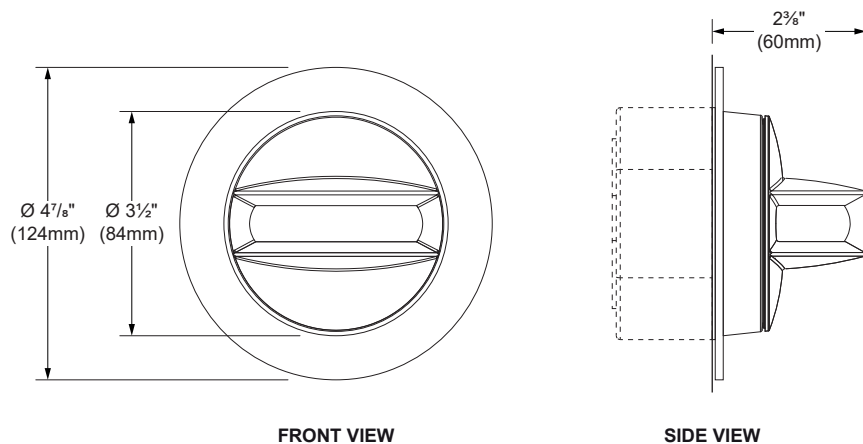
**Calculated for 16AWG cable. Contact factory for longer remote distance.

WIRING DIAGRAMS

Multiple luminaires must be connected in series (home run or fixture chain).



DIMENSIONS

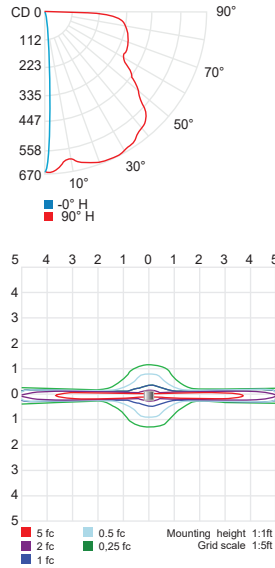


PHOTOMETRIC DATA

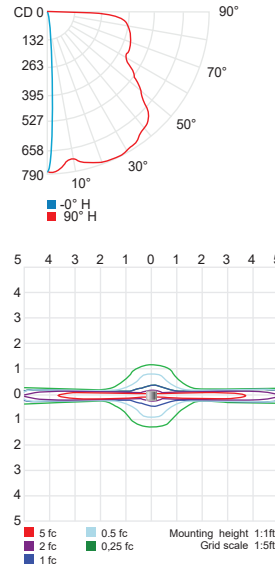


CCT (K)	CRI	OUTPUT	LOAD (W)	OPTIC	LUMENS (lm)	EFFICACY (lm / W)	MAX CANDELA (cd)	MODEL
3000K	80	BO	3.7W	180° blade effect	124	33	664	ITRC-S-BO-XX-830-BL180
		HO	4.5W	180° blade effect	146	32	781	ITRC-S-HO-XX-830-BL180

BO 180° blade effect (3000K, 80CRI)



HO 180° blade effect (3000K, 80CRI)



180° BLADE EFFECT

