


Collection of recessed downlights for architectural applications. The luminaires are equipped with high performance Opti Beam optics system for low luminance downlights (UGR < 10) Blade R is available in 3 aperture sizes, trim or trimless, 3 distributions, generous outputs of up to 3800 lumens, and excellent chromatic performance (90CRI).

Luminaire characteristic:

Power input: 16W to 60.5W (system wattage)
Lumens: 835lm to 3820lm (for 3000K, 90CRI)
Luminaire efficacy: Up to 67lm/W

Source:	White LED (LM-80), 2700K : 90CRI, 3000K : 90CRI, 3500K : 90CRI, 4000K : 80CRI, 90CRI.
Lumen maintenance:	80% of initial lumens at 50 000 hours (LM-79)
Optic:	Low luminance Opti Beam technology with medium, flood and wide flood distribution. UGR < 10.
Material:	Body: Die-cast aluminum Reflector: Metalized thermoplastic Baffle: Polycarbonate
Mounting:	Retrofit, New construction with plaster frame for non insulated ceiling (page 3).
Electrical:	Integral high efficiency LED driver, rated at 50 000 hours. 120V or 277V.
Dimming:	TRIAC/ELV (leading and trailing edge), 0-10V , EldoLED 0-10V , Lutron Hi Lume® (EcoSystem™).
Finish:	See page 2 for details.
Weight:	IBR06: 2.13 lbs (0.97 kg) IBR12: 2.57 lbs (1.17 kg) IBR18: 3.37 lbs (1.53 kg) IBR30: 6.45 lbs (2.93 kg)
Warranty:	5 year limited warranty.
Rating:	IP20, IP23 (from under the ceiling).
Certification:	 cULus listed for damp location. Interior use only.

ORDERING INFO

IBR - - - - -
FIXTURE

- **BR** -
PLASTER FRAME

*Central cover always supplied in white. Black central cover can be ordered separately.

MODEL

06 - Six **12** - Twelve **18** - Eighteen **30** - Eighteen + twelve

MOUNTING

TR - Trim **TL** - Trimless⁽¹⁾

INSTALLATION

RF - Remodel (no plaster frame) **NC** - New construction plaster frame

LED

927 - 2700K, 90 CRI **930** - 3000K, 90 CRI **935** - 3500K, 90 CRI **940** - 4000K, 90 CRI⁽¹⁾ **840** - 4000K, 80 CRI

OPTIC

MD - Medium 24° **FL** - Flood 40° **WF** - Wide flood 58°

VOLTAGE

120 - 120V **277** - 277V

FINISH* (Trim finish / Baffle finish)

	White Trim	Black Trim	Trimless
Black baffle	<input type="checkbox"/> 01 - White/Black	<input type="checkbox"/> 02 - Black/Black	<input type="checkbox"/> 02 - Black
White baffle	<input type="checkbox"/> 31 - White/White		<input type="checkbox"/> 31 - White

DIMMING**

D10 - 0-10V **LTE** - Leading and trailing edge (120V only) **D01** - EldoLED 0-10V (down to 1%)⁽²⁾ **D2B** - Lutron Hi Lume® 1% EcoSystem™⁽³⁾ (Soft-on, Fade to Black)

⁽¹⁾Available for six (06), twelve (12) and eighteen (18) models.
⁽²⁾Available for twelve (12), eighteen (18) and eighteen + twelve (30) models.
⁽³⁾Available for twelve (12).

**For 0-10V and leading and trailing edge (D10 and LTE), the dimming levels will vary depending on the dimmer used and the number of luminaires on the line. See dimmer compatibility chart.

ACCESSORIES
(TO BE ORDERED SEPARATELY)

IPA89-02 - Black central cover for Blade R 06



IPA90-02 - Black central cover for Blade R 12



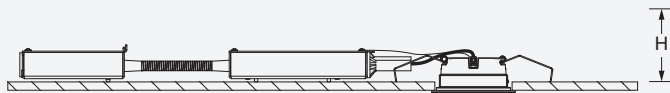
IPA91-02 - Black central cover for Blade R 18 and 30



INSTALLATION OPTIONS

Remodel (RF)

Versatile fixture for new or existing ceiling structure. Suitable for non-insulated ceiling assemblies, like sheetrock or paneling. Fixture is ready for remodeling installation. Trimless frame kit and fixture can be shipped separately. Installation from below.



Ceiling thickness:

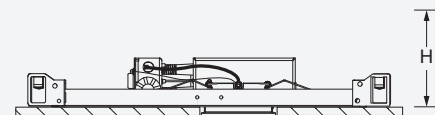
Trim: 1/8" to 1 1/8" (3mm - 29mm)
Trimless: 3/8" (16mm)

Model	Mounting	Trimless frame kit	Cut-out dimension	Clearance (H)
IBR06	Trim		Ø 3 3/8" (Ø 86mm)	4" (102mm)
	Trimless	TK-BR06TL-RF		6" (152mm)
IBR12	Trim		Ø 5 1/8" (Ø 130mm)	4" (102mm) ⁽¹⁾
	Trimless	TK-BR12TL-RF		4 1/2" (114mm) ⁽²⁾
IBR18	Trim		Ø 6 7/8" (Ø 175mm)	5" (127mm) ⁽¹⁾
	Trimless	TK-BR18TL-RF		6 1/2" (165mm) ⁽²⁾
IBR30	Trim			4" (102mm)

⁽¹⁾ Clearance rated for **LTE** or **D10** dimming.
⁽²⁾ Clearance rated for **D2B**, **D3** or **D01** dimming.

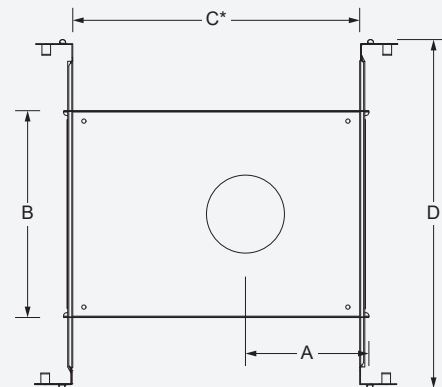
New construction with plaster frame (NC)

Plaster frame with hanger bars system to be installed during rough-in phase. Suitable for non-insulated new construction ceiling assemblies, like sheetrock, acoustic tiles or paneling. Plaster frame and fixture can be shipped separately.



Ceiling thickness:

Trim: 1/8" to 1 1/8" (3mm - 29mm)
Trimless: 3/8" (16mm)

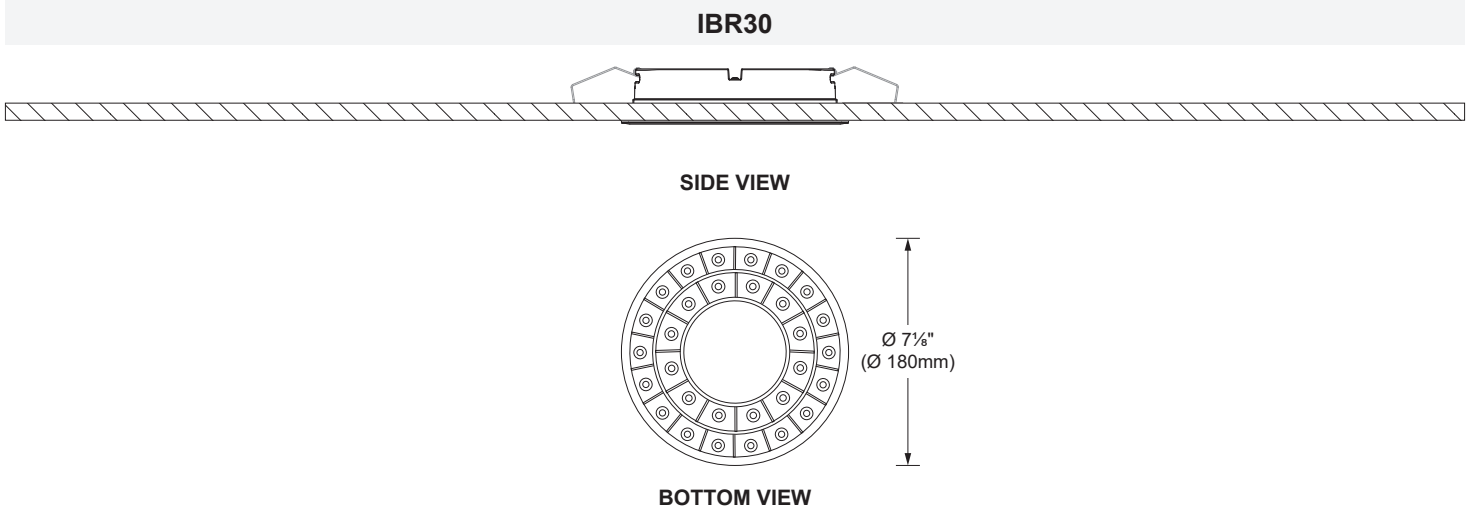
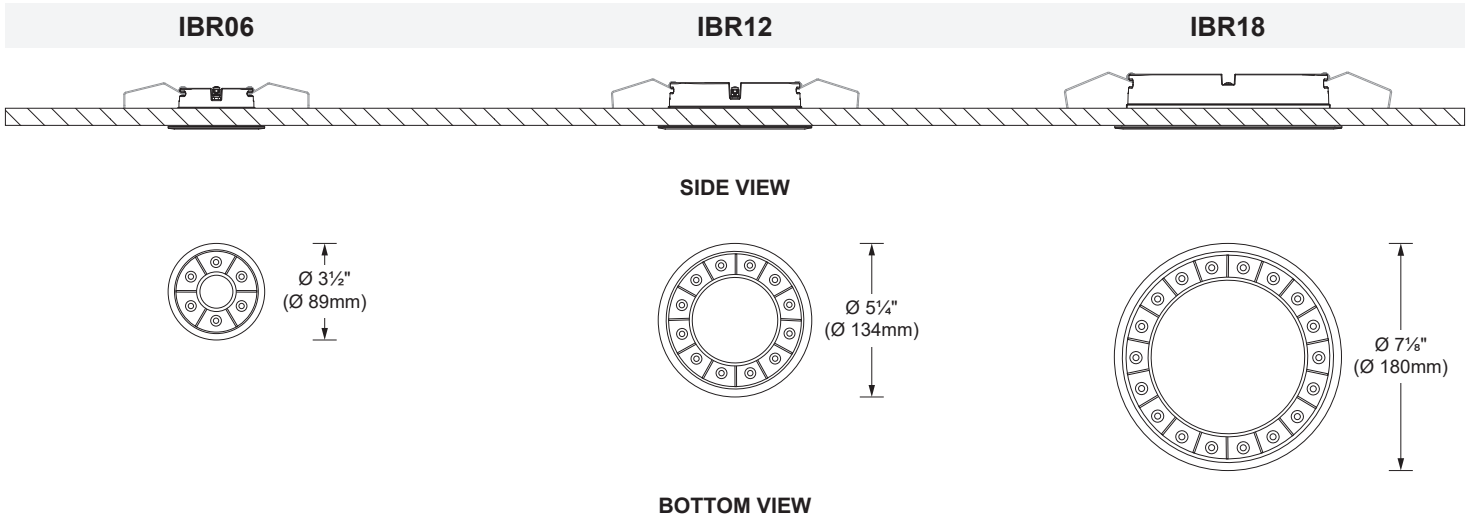


*Provide a minimum of 1/8" (46mm) on each side for the hanger bar fixations

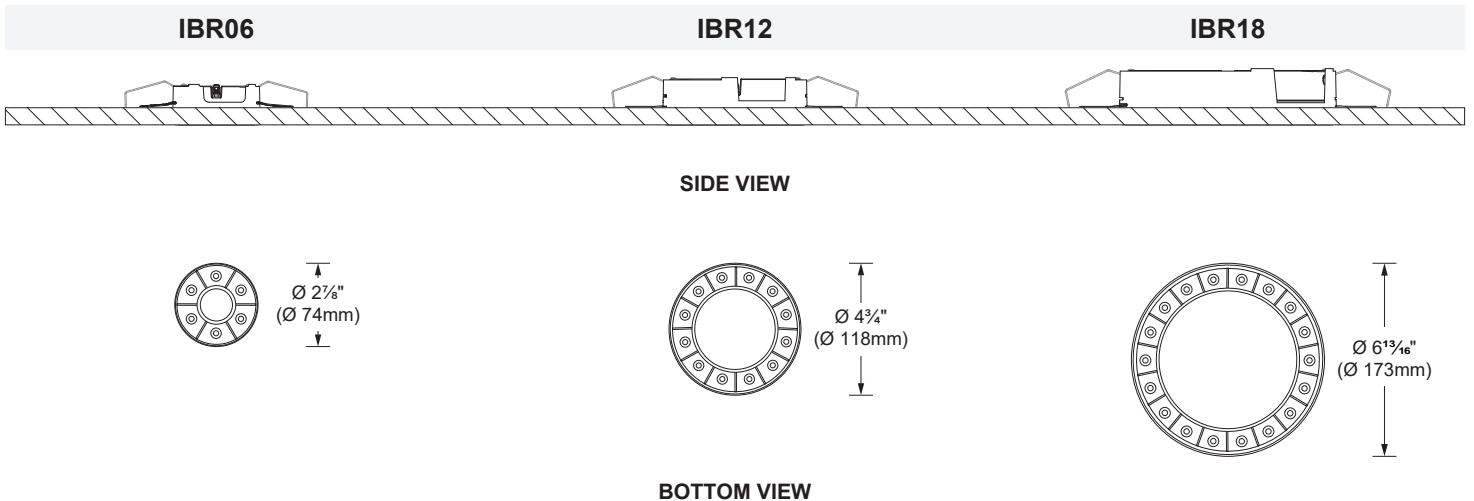
Model	Mounting	Plaster Frame	Cut-out dimensions	Cut-out position (A)	Overall dimensions (BxC)	Hanger bars (D)	Clearance (H)
IBR06	Trim	BN-BR06TR-NC	Ø 3 1/4" (Ø 83mm)	5 1/8" (130mm)	8 5/8" x 12" (219mm x 304mm)	9" to 15 1/4" (229 to 387mm)	4" (102mm)
	Trimless	BN-BR06TL-NC	Ø 3 3/8" (Ø 86mm)				6" (152mm)
IBR12	Trim	BN-BR12TR-NC	Ø 5" (Ø 127mm)	3 1/2" (89mm)			4" (102mm) ⁽¹⁾
	Trimless	BN-BR12TL-NC	Ø 5 1/8" (Ø 130mm)	5 5/8" (143mm)			4 1/2" (114mm) ⁽²⁾
IBR18	Trim	BN-BR18TR-NC	Ø 6 3/4" (Ø 172mm)	6 3/4" (171mm)	9" x 18" (229mm x 458mm)	5" (127mm) ⁽¹⁾	
	Trimless	BN-BR18TL-NC	Ø 6 7/8" (Ø 175mm)	6 3/8" (162mm)	8 5/8" x 12" (219mm x 304mm)	6 1/2" (165mm) ⁽²⁾	
IBR30	Trim	BN-BR30TR-NC	Ø 6 3/4" (Ø 172mm)	6 3/4" (171mm)	9" x 18" (229mm x 458mm)	4" (102mm)	

⁽¹⁾ Clearance rated for **LTE** or **D10** dimming.
⁽²⁾ Clearance rated for **D2B** or **D01** dimming.

TRIM MODELS DIMENSIONS



TRIMLESS MODELS DIMENSIONS



LED COLOR FIDELITY DATA

CRI	CCT	R1	R2	R3	R4	R5	R6	R7	R8	R9	R10	R11	R12	R13	R14	R15	Rf	Rg	Melanopic ratio
80	4000K	81	92	96	79	81	87	85	64	13	79	77	64	84	98	76	82	93	0.707
90	2700K	94	94	91	93	93	92	93	88	70	84	94	82	94	94	92	88	104	0.456
	3000K	97	96	93	94	96	94	95	92	82	89	94	86	97	95	96	90	104	0.538
	3500K	99	99	98	98	98	97	97	96	93	99	99	83	99	98	98	92	99	0.666
	4000K	94	94	93	94	92	91	97	91	74	85	91	72	93	96	92	91	99	0.744

PHOTOMETRIC DATA

Photometric performance is measured in accordance with IESNA LM-79. Visit iguzzini.com for complete photometric data.

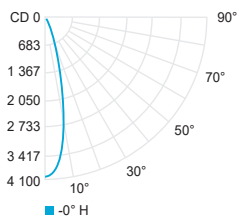
IBR06



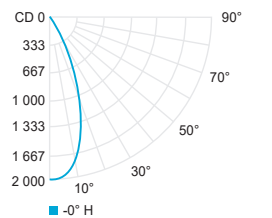
CCT (K)*	CRI	LOAD (W)	OPTIC	LUMENS (lm)	EFFICACY (lm / w)	MAX CANDELA (cd)	MODELS
3000K	90	16W	Medium 24°	835	52	4 015	IBR06-930-MD
			Flood 40°	870	54	1 985	IBR06-930-FL
			Wide flood 58°	880	55	1 140	IBR06-930-WF

*USE MULTIPLIER TABLE BELOW FOR OTHER CCT AND CRI OUTPUT DATA

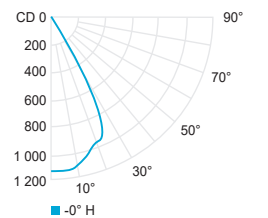
Medium 24° (3000K, 90CRI)



Flood 40° (3000K, 90CRI)



Wide flood 58° (3000K, 90CRI)



CCT options	2700K	3000K	3500K	4000K*	4000K
CRI options	90CRI	90CRI	90CRI	90CRI*	80CRI
Multiplier	0.95	1.00	1.05	1.11*	1.33

*Available for IBR06, IBR12 and IBR18 model

PHOTOMETRIC DATA

Photometric performance is measured in accordance with IESNA LM-79.
Visit iguzzini.com for complete photometric data.

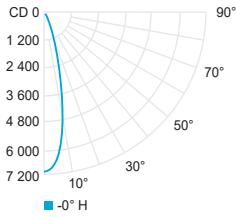
IBR12



CCT (K)*	CRI	LOAD (W)	OPTIC	LUMENS (lm)	EFFICACY (lm / w)	MAX CANDELA (cd)	MODELS
3000K	90	29W	Medium 24°	1 575	54	7 120	IBR12-930-MD
			Flood 40°	1 675	57	3 565	IBR12-930-FL
			Wide flood 58°	1 700	58	2 410	IBR12-930-WF

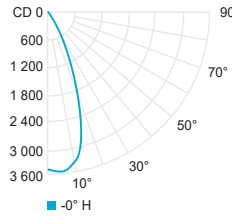
*USE MULTIPLIER TABLE BELOW FOR OTHER CCT AND CRI OUTPUT DATA

Medium 24° (3000K, 90CRI)



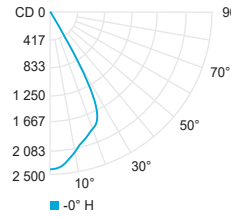
Center beam fc	Beam width ft
2ft	1 781 0.9
4ft	445 1.8
6ft	198 2.6
8ft	111 3.5
10ft	71.2 4.4
12ft	49.5 5.3

Flood 40° (3000K, 90CRI)



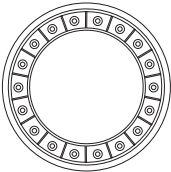
Center beam fc	Beam width ft
2ft	870 1.5
4ft	218 3.0
6ft	96.7 4.5
8ft	54.4 6.0
10ft	34.8 7.6
12ft	24.2 9.1

Wide flood 58° (3000K, 90CRI)



Center beam fc	Beam width ft
2ft	602 2.2
4ft	151 4.3
6ft	66.9 6.5
8ft	37.6 8.7
10ft	24.1 10.9
12ft	16.7 13.0

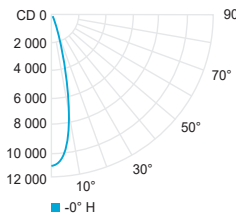
IBR18



CCT (K)*	CRI	LOAD (W)	OPTIC	LUMENS (lm)	EFFICACY (lm / w)	MAX CANDELA (cd)	MODELS
3000K	90	39.5W	Medium 24°	2 525	63	11 135	IBR18-930-MD
			Flood 40°	2 650	67	5 260	IBR18-930-FL
			Wide flood 58°	2 685	67	3 370	IBR18-930-WF

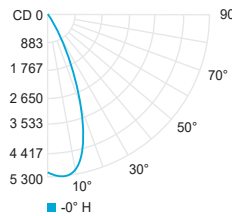
*USE MULTIPLIER TABLE BELOW FOR OTHER CCT AND CRI OUTPUT DATA

Medium 24° (3000K, 90CRI)



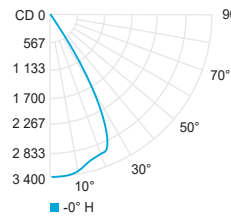
Center beam fc	Beam width ft
2ft	2 784 0.9
4ft	696 1.8
6ft	309 2.7
8ft	174 3.6
10ft	111 4.5
12ft	77.3 5.4

Flood 40° (3000K, 90CRI)



Center beam fc	Beam width ft
2ft	1 278 1.6
4ft	320 3.2
6ft	142 4.8
8ft	79.9 6.4
10ft	51.1 8.0
12ft	35.5 9.6

Wide flood 58° (3000K, 90CRI)



Center beam fc	Beam width ft
2ft	842 2.2
4ft	210 4.5
6ft	93.5 6.7
8ft	52.6 9.0
10ft	33.7 11.2
12ft	23.4 13.4

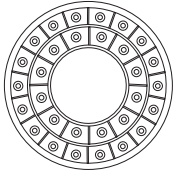
CCT options	2700K	3000K	3500K	4000K*	4000K
CRI options	90CRI	90CRI	90CRI	90CRI*	80CRI
Multiplier	0.95	1.00	1.05	1.11*	1.33

*Available for IBR06, IBR12 and IBR18 model

PHOTOMETRIC DATA

Photometric performance is measured in accordance with IESNA LM-79.
Visit iguzzini.com for complete photometric data.

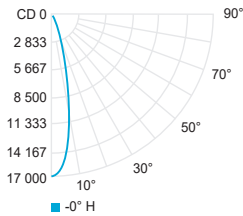
IBR30



CCT (K)*	CRI	LOAD (W)	OPTIC	LUMENS (lm)	EFFICACY (lm / w)	MAX CANDELA (cd)	MODELS
3000K	90	60.5W	Medium 24°	3 590	59	16 860	IBR30-930-MD
			Flood 40°	3 770	62	7 930	IBR30-930-FL
			Wide flood 58°	3 820	63	5 225	IBR30-930-WF

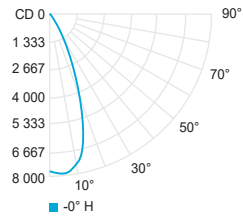
*USE MULTIPLIER TABLE BELOW FOR OTHER CCT AND CRI OUTPUT DATA

Medium 24° (3000K, 90CRI)



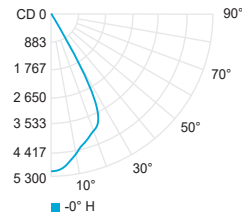
Center beam fc	Beam width ft
3.3ft	1.4
6.7ft	2.9
10ft	4.3
13.3ft	5.7
16.7ft	7.2
20ft	8.6

Flood 40° (3000K, 90CRI)



Center beam fc	Beam width ft
3.3ft	2.5
6.7ft	5.1
10ft	7.7
13.3ft	10.2
16.7ft	12.8
20ft	15.3

Wide flood 58° (3000K, 90CRI)



Center beam fc	Beam width ft
3.3ft	3.6
6.7ft	7.4
10ft	11.0
13.3ft	14.6
16.7ft	18.4
20ft	22.0

CCT options	2700K	3000K	3500K	4000K*	4000K
CRI options	90CRI	90CRI	90CRI	90CRI*	80CRI
Multiplier	0.95	1.00	1.05	1.11*	1.33

*Available for IBR06, IBR12 and IBR18 model