

High efficiency linear system for exterior applications. Patented optic Opti Beam linear delivers superior performance with 8 distributions, symmetric, asymmetric grazer and elliptical distributions. Integral honeycomb, longitudinal and transversal louver for improved visual comfort.
Design: Jean-Michel Wilmotte

Luminaire characteristic:	Power input: RGB: 14W/ft RGBW: 13W/ft Tunable white: 14W/ft Lumens: Up to 1265lm/ft Luminaire efficacy: Up to 93lm/W
Source:	RGB, RGBW (4000K), Tunable white (2700K to 5000K, 80CRI).
Lumen maintenance:	RGB: L80 of 56 000 hours at 40°C, L80 of 65 000 hours at 25°C. RGBW: L80 of 59 000 hours at 40°C, L80 of 70 000 hours at 25°C. Tunable white: L80 of 100 000 hours at 40°C.
Optic:	Available in 38°X38°, 20°X60°, 40°X85°.
Material:	Body: Extruded aluminum End caps: Die-cast aluminum alloy Protective screen: 3/16" (4mm) sodium-calcium tempered sealing glass with silk screen. Optic diffuser: PMMA (polymethyl methacrylat) Hardware: Stainless steel.
Mounting:	Universal Surface mounting, using mounting accessories (included). Supplied with 6.5' (2000mm) long cable (page 6).
Electrical:	48Vdc RGB (48 to 52Vdc), 48Vdc RGBW (44 to 52Vdc), 48Vdc Tunable white (48 to 52Vdc).
Dimming:	DMX RDM (page 4), DMX resolution per luminaire.
Temperature of operation:	-22°F to 113°F (-30°C to 45°C)
Glass surface temperature:	104°F (40°C) maximum.
Finish:	Gray painted (RAL9007) with a high level of weather and UV resistance. The semi-gloss finish coating is electrostatically applied, durable acrylic enamel baked at high temperatures for superior color retentive finish.
Weight:	1.9lb/ft (0.86kg/ft)
Warranty:	5 year limited warranty.
Ratings:	IP66, IK06
Certification:	cULus listed for wet location



ORDERING INFO

ILM47 - - HO - - - REM 15 DMX
FIXTURE



MODEL

LM47 - Linealuce 47

LED

RGB - RGB **RGBW** - RGBW **TW** - Tunable white

LENGTH

MAX LENGTH ON A SINGLE FEED ⁽¹⁾		
TW	RGB	RGBW
22ft	22ft	23ft

OUTPUT

HO - High output

OPTIC

Symmetrical

38°X38°

Grazer

20°X60°

Elliptical

40°X85°⁽²⁾

MOUNTING

M (Surface)

G (Ground spike)⁽³⁾

1 - Short arm with granular adjustment

2 - Short adjustable arms

3 - Adjustable arms
L: 2 3/4"

4 - Adjustable arms⁽³⁾
L: 3 1/2"

5 - Adjustable arms⁽⁴⁾
L: 7 1/2"

VOLTAGE

REM - Remote

FINISH

15 - Gray

DIMMING

DMX - DMX CONTROL

⁽¹⁾ To specify longer lengths, multiple product code must be used. See page 7 for example.

⁽²⁾ Not compatible with internal accessories (**A3, A4, A5**).

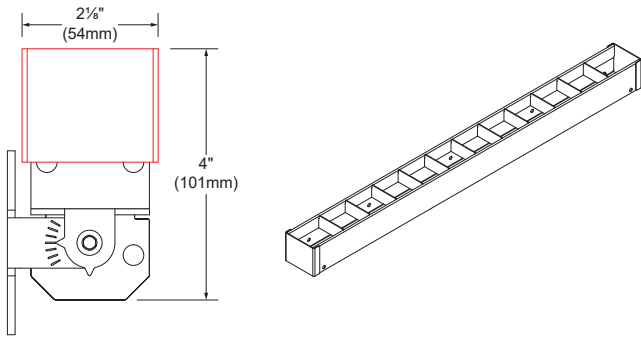
⁽³⁾ Ground spike with 3 1/2" adjustable arms (**G4**) not compatible with external accessories (**A1, A2**).

⁽⁴⁾ Available for surface (**M**) mounting.

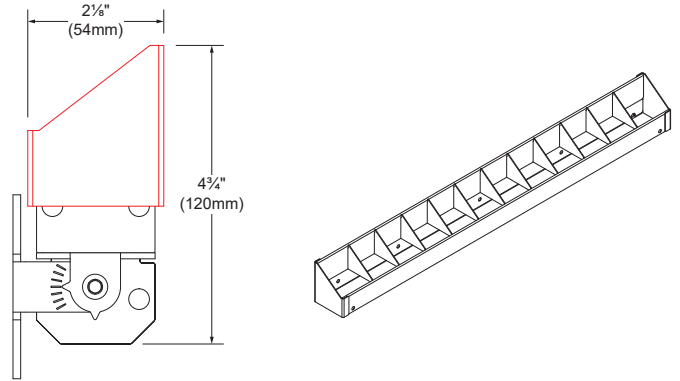
FIXTURE ACCESSORIES (optional)

EXTERNAL ACCESSORIES (for installation consult the instruction sheet)

A1 - Symmetrical external screen

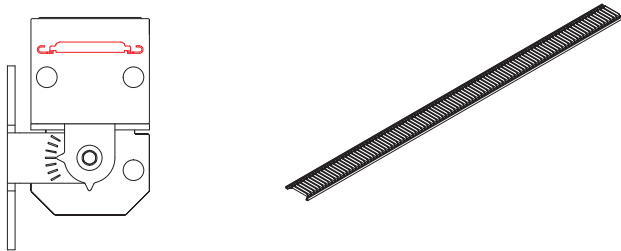


A2 - Asymmetrical external screen



INTERNAL ACCESSORIES (Installed in factory)

A3 - Internal transversal louver



A4 - Internal longitudinal louver



A5 - Honeycomb louver



ACCESSORIES (TO BE ORDERED SEPARATELY)

4543 - Wet location junction box



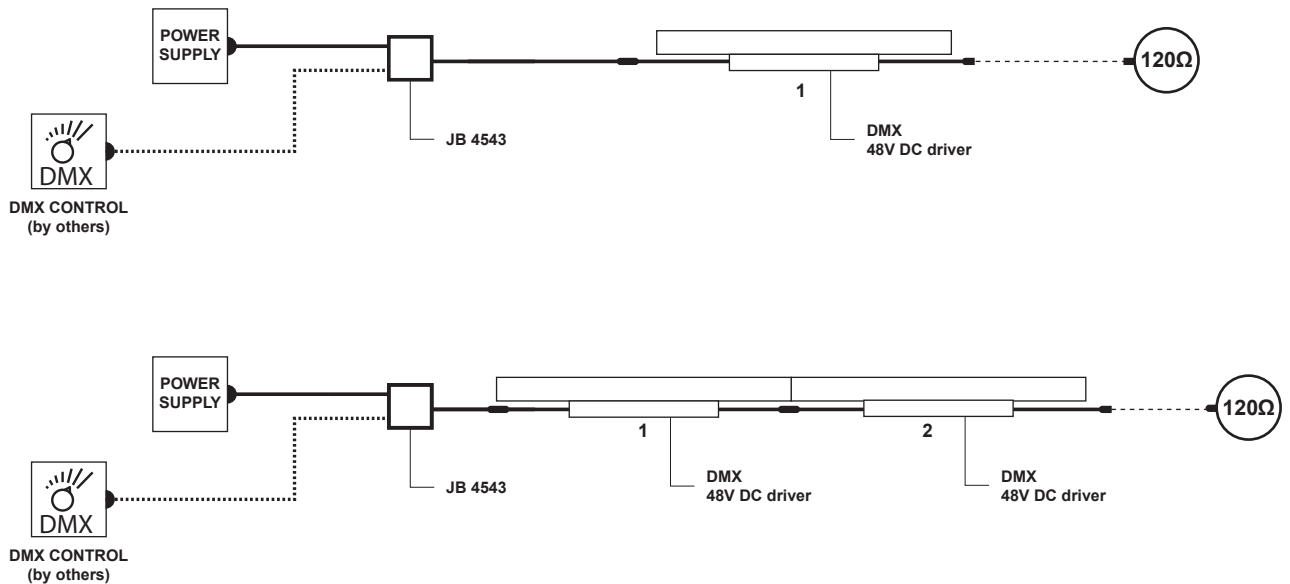
REMOTE LED DRIVER OPTIONS

(TO BE ORDERED SEPARATELY)
*Electronic driver 0-10V or DMX included in fixture

Watts	Voltage	Rated	Dimensions	Maximum Nominal length		
				TW	RGB	RGBW
<input type="checkbox"/>	4554-0048-120-UNV-ND					
120	120-277V	Outdoor / wet location	14½" x 6½" x 3½" (362 x 159 x 89mm)	8' (2.5m)	8' (2.5m)	9' (2.5m)
<input type="checkbox"/>	4554-0048-240-UNV-ND					
240	120-277V	Outdoor / wet location	14½" x 6½" x 3½" (362 x 159 x 89mm)	17' (5m)	18' (5m)	19' (5.75m)
<input type="checkbox"/>	4554-0048-480-UNV-ND					
480	120-277V	Outdoor / wet location	14½" x 6½" x 3½" (362 x 159 x 89mm)	22' (6.75m)	22' (6.75m)	23' (7m)

* For max remote distance, consult instruction sheet.

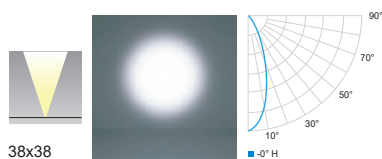
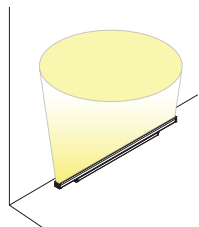
WIRING EXAMPLE



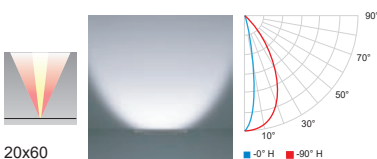
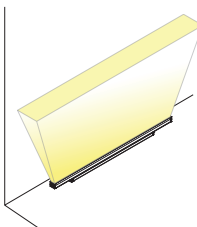
OVERVIEW

OPTICS

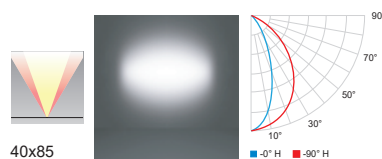
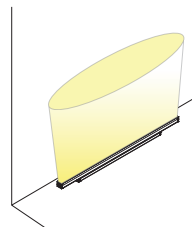
SYMMETRICAL



GRAZER



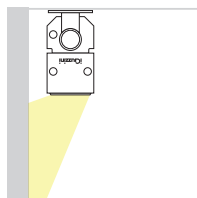
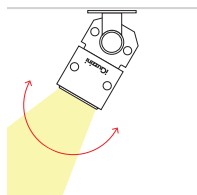
ELLIPTICAL



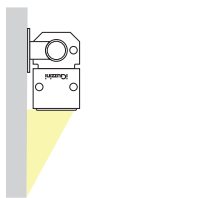
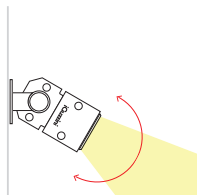
INSTALLATIONS

180° orientable arms

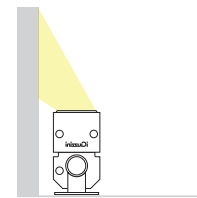
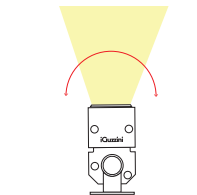
CEILING



WALL

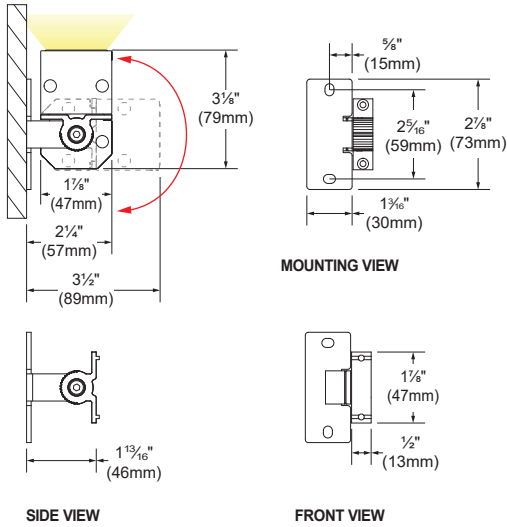


GROUND

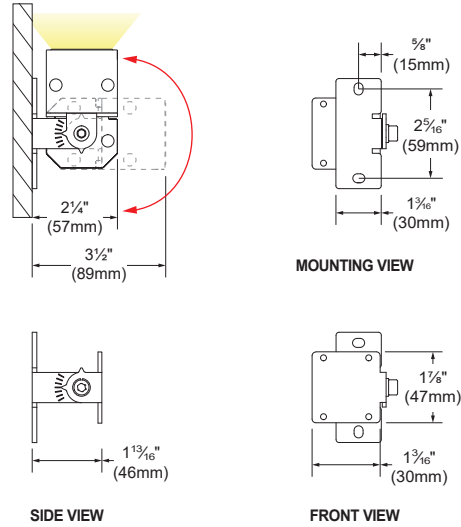


MOUNTING AND DIMENSIONS

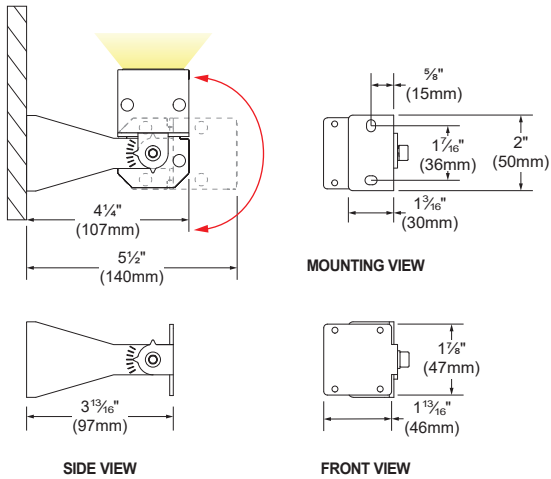
1 - Short arm with granular adjustment



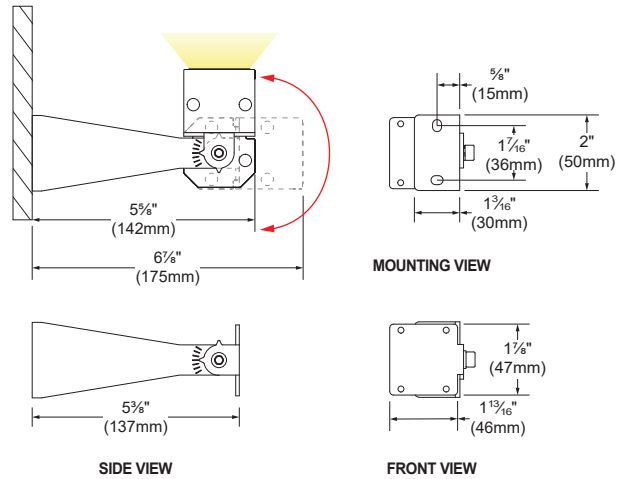
2 - Short adjustable arms



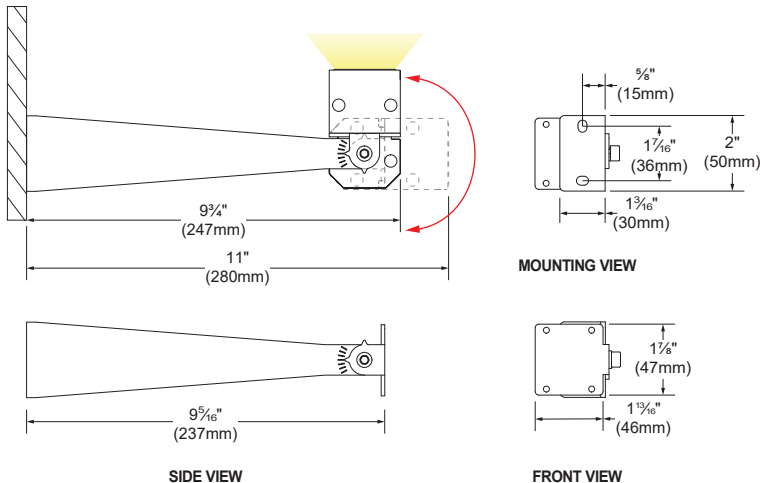
3 - Stainless steel adjustable arms L: 2 3/8" (60mm)



4 - Stainless steel adjustable arms L: 3 1/8" (100mm)







5 - Stainless steel adjustable arms L: 8 3/4" (223mm)



LENGTHS

Except for 2' units, all units are equipped with 2 connectors (male / female) for through wiring.

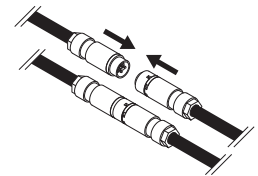
- 2' 
L: 2' (611mm)
- 3' 
L: 2' 11 3/4" (908mm)
- 4' 
L: 3' 11 1/2" (1205mm)
- 5' * 
L: 4' 11 1/8" (1502mm)
* Available for RGBW version only.



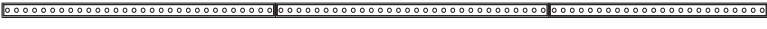


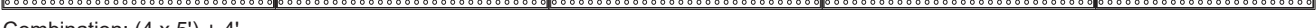
CONTINUOUS ROWS EXAMPLE

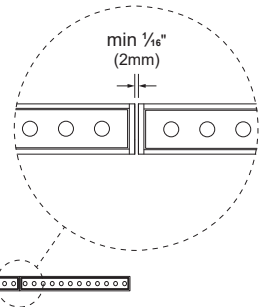
Single elements can be combined to obtain dark spot free continuous row with a single feed point. Interconnecting power cable and hardware are preconfigured at the factory and supplied with the luminaires.

MAX LENGTH ON A SINGLE FEED		
TW	RGB	RGBW
22ft	22ft	23ft

PLUG AND PLAY QUICK CONNECTOR INSTALLATION



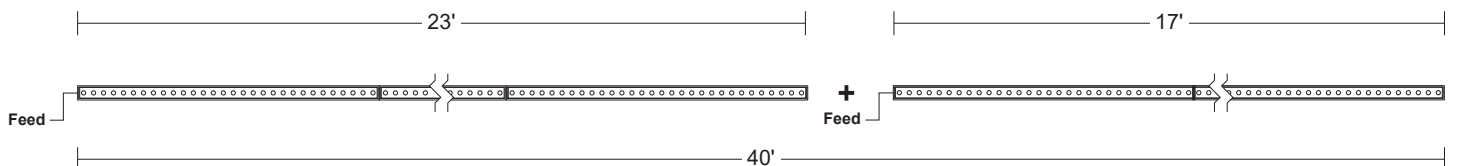
- 7' 
Combination: 3' + 4'
Total length: 6'-11 3/8" (2115mm)
- 10' 
Combination: 5' + 5'
Total length: 9'-10 3/8" (3006mm)
- 14' 
Combination: (2 x 5') + 4'
Total length: 13'-10" (4214mm)
- 16' 
Combination: (2 x 5') + 4' + 2' *
Total length: 15'-10 1/8" (4826mm)
- 21' 
Combination: (3 x 5') + 4' + 2' *
Total length: 20'-9 3/8" (6335mm)
- 24' 
Combination: (4 x 5') + 4'
Total length: 23'-8 1/2" (7226mm)



* 2' units are to be used as single units or at the end of a line.

EXAMPLE: COVERING A 40-FOOT FACADE

ILM47-23-BO-XXX-XXXXX-XX-REM15DMX + ILM47-17-BO-XXX-XXXXX-XX-REM15DMX



PHOTOMETRIC DATA

SYMMETRICAL

38x38

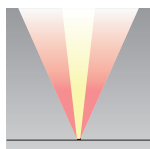


CCT (K)	CRI	OUTPUT	LOAD (W/ft)	LUMENS (lm/ft)	EFFICACY (lm/w)	MAX CANDELA (cd)
RGB	80	HO	14W/ft	440	33	4 445
RGBW*			13W/ft	415	33	3 725
TW			14W/ft	1 036	76	8 340

*WHITE LIGHT: 4000K

GRAZER

20x60

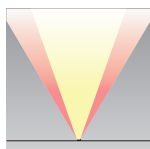


CCT (K)	CRI	OUTPUT	LOAD (W/ft)	LUMENS (lm/ft)	EFFICACY (lm/w)	MAX CANDELA (cd)
RGB	80	HO	14W/ft	470	36	6 295
RGBW*			13W/ft	505	40	6 700
TW			14W/ft	1 265	93	11 700

*WHITE LIGHT: 4000K

ELLIPTICAL

40x85



CCT (K)	CRI	OUTPUT	LOAD (W/ft)	LUMENS (lm/ft)	EFFICACY (lm/w)	MAX CANDELA (cd)
RGB	80	HO	14W/ft	375	28	1 455
RGBW*			13W/ft	390	31	1 500
TW			14W/ft	875	64	3 165

*WHITE LIGHT: 4000K