

ARCHILEDE HP LED

Project name: _____

Type: _____



The Archilede HP lighting system is an innovative solution for urban lighting applications such as parking areas, roadways, parks and other pedestrian areas. The system takes advantage of the latest advancement in LED technology. With a subtle contemporary design and two sizes, the Archilede HP is well suited for today's modern environment for new or existing installations.

Luminaire characteristics:

Input load: 36 to 158W
Lumens: 2995 to 14550lm (delivered)
Luminaire efficacy: 80 to 93lm/W

Source: White LED module, LM-80 Tested
 3000K: 70CRI.
 4000K: 70CRI.

Lumen maintenance: >90% of initial lumens at 100 000 hours (L90), (LM-79 tested).

Optic: High efficiency optical system made of a superpure 99.95% silver aluminum. Available in 4 different IESNA distributions: Type II, III, IV, and Type III with comfort optic for reduced glare.

Mounting: Wall or pole mounted, see page 3 for all mounting options.

Vibration: 3G Vibration rating (ANSI C136.31)

Material:
 Optical assembly and frame: Die-cast aluminum.
 Reflector: Silver aluminum.
 Protective screen: Sodium-calcium tempered sealing glass with customized silk-screening.

Electrical: High efficiency electronic power supply, rated at 100 000 hours, 120-277V. Supplied with 10' (3m) power cable.
Operating temperature: -40°F to 95°F (-40°C to 35°C).

Dimming: Supplied standard with 0-10V dimmable power supply (down to 30% dimming range).

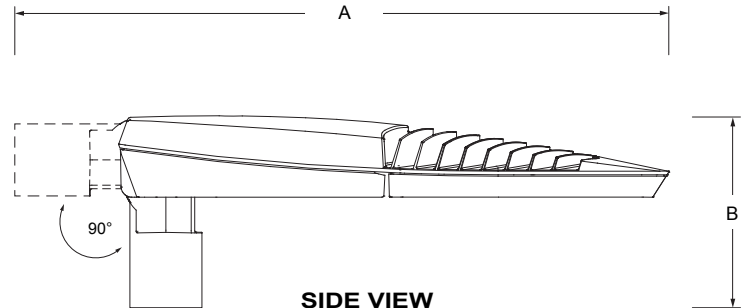
Finish: Gray (RAL9007) painted finish with a high level of weather and UV resistance. The semi-gloss finish coating is electrostatically applied, durable acrylic enamel baked at high temperature for superior color retentive finish.

Weight: Mini: 20.5lbs (9.3kg), Large: 33.7lbs (15.3kg).

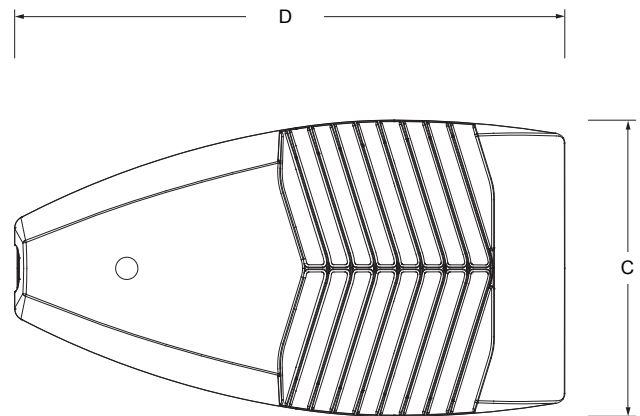
Warranty: 5 year limited warranty.

Certification: cULus listed for wet location.

Ratings: IP67, IK08.



SIDE VIEW



TOP VIEW

		A	B	C	D
MINI	in	29½	10	11¼	24¾
	mm	749	253.5	300	625
LARGE	in	34½	10½	16¼	30¾
	mm	877	268	412	765

Project name: _____

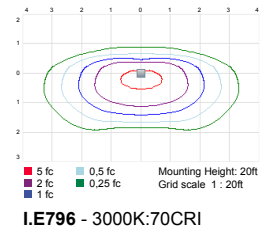
Type: _____

MODEL OPTIONS

Nominal data, please refer to IES files for absolute data.

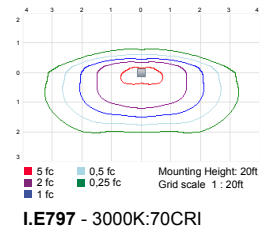
TYPE II

K	SIZE	MODEL	lm/W	LUMENS	WATT	B.U.G.
3000	M	I.E800	83	2995	36	B1 - U0 - G1
		I.E801	80	4510	55.5	B1 - U0 - G1
		I.E802	80	8955	111	B2 - U0 - G2
	L	I.E792	81	4615	56.5	B1 - U0 - G1
		I.E794	81	9160	112.5	B2 - U0 - G2
		I.E796	81	12920	158	B2 - U0 - G2
4000	M	I.E789	93	3375	36	B1 - U0 - G1
		I.E790	91	5075	55.5	B1 - U0 - G1
		I.E791	90	10070	111	B2 - U0 - G2
	L	I.E781	92	5190	56.5	B1 - U0 - G1
		I.E783	91	10300	112.5	B2 - U0 - G2
		I.E785	92	14535	158	B3 - U0 - G2



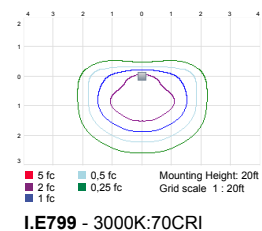
TYPE III

K	SIZE	MODEL	lm/W	LUMENS	WATT	B.U.G.
3000	L	I.E793	81	4620	56.5	B2 - U0 - G1
		I.E795	81	9170	112.5	B2 - U0 - G2
		I.E797	81	12930	158	B2 - U0 - G2
4000	L	I.E782	91	5190	56.5	B2 - U0 - G1
		I.E784	91	10310	112.5	B2 - U0 - G2
		I.E786	92	14550	158	B3 - U0 - G2



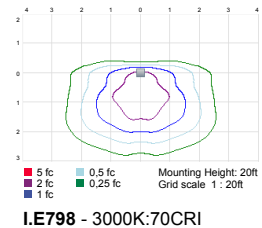
TYPE III COMFORT

K	SIZE	MODEL	lm/W	LUMENS	WATT	B.U.G.
3000	L	I.E799	74	8580	115	B1 - U0 - G2
4000	L	I.E788	84	9665	115	B1 - U0 - G2



TYPE IV

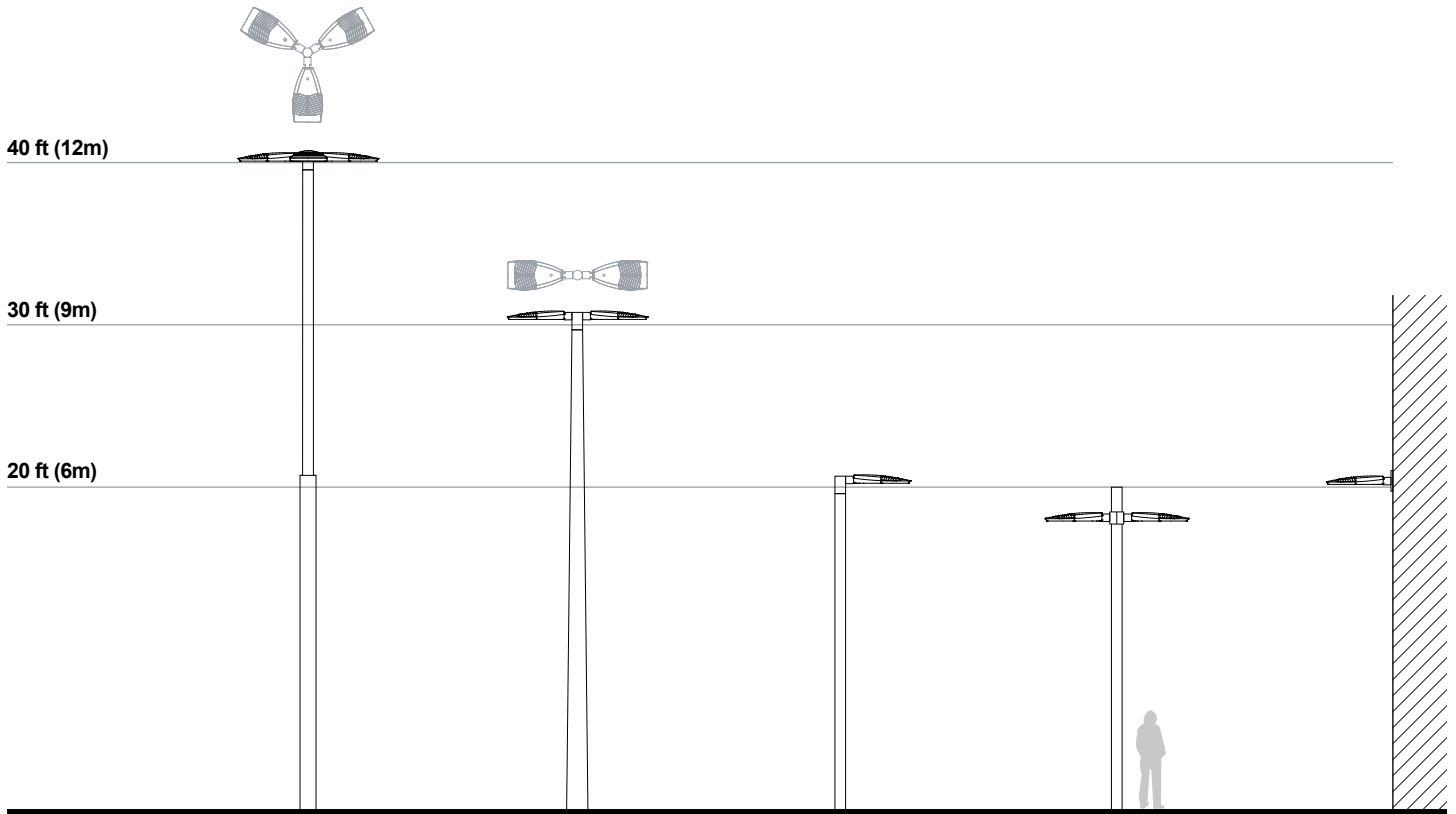
K	SIZE	MODEL	lm/W	LUMENS	WATT	B.U.G.
3000	L	I.E798	80	9225	115	B1 - U0 - G2
4000	L	I.E787	90	10370	115	B1 - U0 - G2



Project name: _____

Type: _____

POLE AND MOUNTING OPTIONS



POLE TYPE:	STEPPED	TAPERED	STRAIGHT MAX 20ft.	STRAIGHT MAX 20ft.	
MOUNTING TYPE:	TRIPLE POLE TOP (T3)	DOUBLE POLE TOP (T2)	POLE TOP (T1)	DOUBLE INTERMEDIATE ARM (I2)	WALL MOUNT (W)

MOUNTING OPTIONS

W - WALL MOUNT WITH FIXATION PLATE
Ø6-3/8" (162mm)

I1 - INTERMEDIATE ARM
for pole section Ø4" (102mm)

I2 - DOUBLE INTERMEDIATE ARM
for pole section Ø4" (102mm)

T1 - POLE TOP
for pole top with Ø1¼" to Ø3" tenon

T2 - DOUBLE POLE TOP
for pole top Ø4" (102mm)

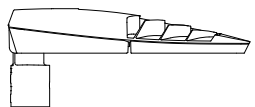
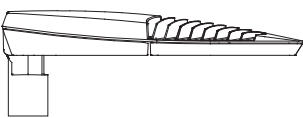
T3 - TRIPLE POLE TOP
for pole top Ø4" (102mm)

Project name: _____

Type: _____

POLE Ø4" (102mm)

- SUPPLIED BY OTHER
CONTACT FACTORY FOR POLE DETAILS
-
- SUPPLIED BY IGUZZINI NORTH AMERICA
CONTACT FACTORY FOR POLE SPECIFICATION
MINIMUM ORDER QUANTITY OF 12
- HEIGHT: _____ ft
POLE TYPE: _____
- INSTALLATION: Anchor bolts only
ACCESS DOOR: Included (3' from ground)
- MATERIEL: Aluminum
 Steel
- FINISH: 15 - Gray RAL9007
 Custom RAL _____

MODEL	WEIGHT	EPA
 MINI	20.5lbs (9.3kg)	0.7ft ² (0.068m ²)
 LARGE	33.7lbs (15.3 kg)	0.89ft ² (0.083m ²)

ORDERING INFO

MODEL	VOLTAGE	MOUNTING	FINISH	DIMMING
<p>MODEL</p> <ul style="list-style-type: none"> <input type="radio"/> I.E781 - 4000K, TYPE II, Large <input type="radio"/> I.E782 - 4000K, TYPE III, Large <input type="radio"/> I.E783 - 4000K, TYPE II, Large <input type="radio"/> I.E784 - 4000K, TYPE III, Large <input type="radio"/> I.E785 - 4000K, TYPE II, Large <input type="radio"/> I.E786 - 4000K, TYPE III, Large <input type="radio"/> I.E787 - 4000K, TYPE IV, Large <input type="radio"/> I.E788 - 4000K, TYPE III C, Large <input type="radio"/> I.E789 - 4000K, TYPE II, Mini <input type="radio"/> I.E790 - 4000K, TYPE II, Mini <input type="radio"/> I.E791 - 4000K, TYPE II, Mini <input type="radio"/> I.E792 - 3000K, TYPE II, Large <input type="radio"/> I.E793 - 3000K, TYPE III, Large <input type="radio"/> I.E794 - 3000K, TYPE II, Large <input type="radio"/> I.E795 - 3000K, TYPE III, Large <input type="radio"/> I.E796 - 3000K, TYPE II, Large <input type="radio"/> I.E797 - 3000K, TYPE III, Large <input type="radio"/> I.E798 - 3000K, TYPE IV, Large <input type="radio"/> I.E799 - 3000K, TYPE III C, Large <input type="radio"/> I.E800 - 3000K, TYPE II, Mini <input type="radio"/> I.E801 - 3000K, TYPE II, Mini <input type="radio"/> I.E802 - 3000K, TYPE II, Mini 	<p>VOLTAGE</p> <ul style="list-style-type: none"> <input type="radio"/> UNV - 120V-277V 	<p>MOUNTING</p> <ul style="list-style-type: none"> <input type="radio"/> W - Wall Mount <input type="radio"/> I1 - Intermediate arm Single <input type="radio"/> I2 - Intermediate arm Double <input type="radio"/> T1 - Pole top <input type="radio"/> T2 - Double pole top <input type="radio"/> T3 - Triple pole top 	<p>FINISH</p> <ul style="list-style-type: none"> <input type="radio"/> 15 - GRAY 	