

Project name: _____

Type: _____



The glim cube is a LED luminaire ideal for pathways in residential areas.

Luminaire characteristics:

Power input: 4W

Lumens: 110 to 125lm

Luminaire efficacy: 27 to 31lm/W

Source: LED module (LM-80 tested)

3200K : 80CRI

4200K : 75CRI

Lumen maintenance: 70% of initial lumens at >50 000 hours (L70), (LM79 tested).

Optics: Available in light blade optic.

Material:

Body: Die-cast aluminum

Diffuser: PMMA clear ribbed screen

Hardware: Stainless steel screws

Electrical: See remote power supply options on page 3.

Mounting: wall or ceiling mounted with hinging plate

Finish: Gray

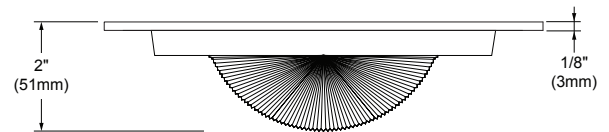
Weight: 0.6lbs (0.3kg).

Contact temperature: less than 40°C

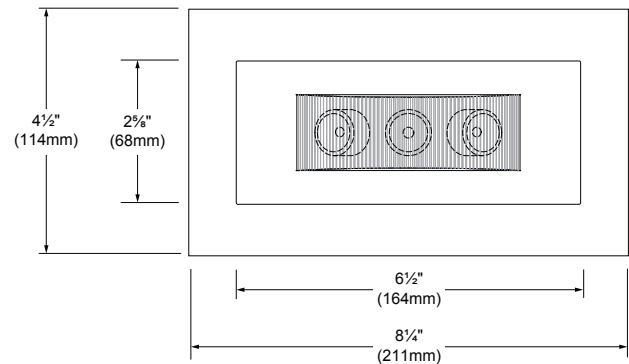
Warranty: 5 year limited warranty.

Certification: cULus for wet location.

Ratings: IP66, IK04



TOP VIEW



FRONT VIEW

Project name: _____

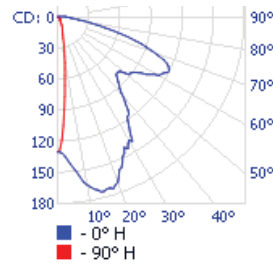
Type: _____

TECHNICAL DATA

Visit iguzzini.com/us for complete photometric data.

LOAD (W)	CCT (K)	CRI	OPTIC	LUMENS (lm)	EFFICACY (lm / w)	MAX CANDELA (cd)	MODEL
4W	3200K	80	Light blade	110	27	170	I.BA98
	4200K	75		125	31	195	I.BA97

	Center Beam fc	Beam Width
1.3ft	76,8 fc	2,4 ft 0,3 ft
2.7ft	17,8 fc	5,1 ft 0,6 ft
4.0ft	8,1 fc	7,5 ft 0,9 ft
5.3ft	4,62 fc	9,9 ft 1,2 ft
6.7ft	2,89 fc	12,6 ft 1,5 ft
8.0ft	2,03 fc	15,0 ft 1,8 ft



3200K - 80 CRI - 86°/12° light blade

Project name: _____

Type: _____

ACCESSORIES

(TO BE ORDERED SEPARATELY)

- CAN-5004-KIT- FOR SINGLE GANG BOX AND OCTOGONAL JUNCTION BOX**
DIM: 8-1/4" X 4-1/2" X 1/8"
(210mm X 114mm X 3mm)



ORDERING INFO

<p>MODEL FINISH</p> <p>MODEL</p> <ul style="list-style-type: none"> <input type="radio"/> I.BA97 - 4200K <input type="radio"/> I.BA98 - 3200K 	<p>FINISH</p> <ul style="list-style-type: none"> <input type="radio"/> 15 - Gray
<p>REMOTE POWER SUPPLY OPTION</p> <p>REMOTE POWER SUPPLY OPTION (TO BE ORDERED SEPARATELY) Requirement for one (1) fixture: 3.5W, 350mA (for remote fixture only)</p> <ul style="list-style-type: none"> <input type="radio"/> 4444-0350-003-120-ND <input type="radio"/> 4450-0350-019-UNV-ED10 <input type="radio"/> 4548-0350-003-120-ND <input type="radio"/> 4549-0350-019-UNV-ED10 	

REMOTE POWER SUPPLY OPTION

(TO BE ORDERED SEPARATELY)

Watts	Min-Max	Voltage	Rated	Dimming protocol	Box dimensions	Max distance 18AWG	Code
3	1	120V	Indoor	None	6" X 4" X 3" (152 X 102 X 76mm)	30ft (9m)	4444-0350-003-120-ND
19	1-5	120-277V	Indoor	0-10V ELDOLED ECOdrive	8" X 8" X 4" (203 X 203 X 102mm)	72ft (22m)	4450-0350-019-UNV-ED10
3	1	120V	Outdoor	None	7" X 4" X 3" (178 X 102 X 76mm)	30ft (9m)	4548-0350-003-120-ND
19	1-5	120-277V	Outdoor	0-10V ELDOLED ECOdrive	14" X 5" X 3" (356 X 127 X 76mm)	72ft (22m)	4549-0350-019-UNV-ED10