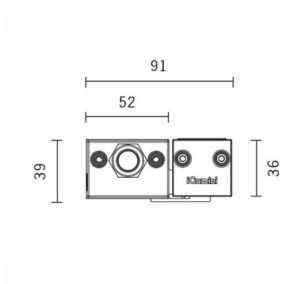


Dernière mise à jour des informations: Décembre 2024

Configuration du produit: BJ32

BJ32: Mini - Wall-/Ceiling-mounted LED - 48V dc with DMX512-RDM control - L=1496mm - Wall Grazing Optic

**Référence produit**

BJ32: Mini - Wall-/Ceiling-mounted LED - 48V dc with DMX512-RDM control - L=1496mm - Wall Grazing Optic

Description technique

Direct light luminaire, designed to use RGB LED lamps (Red, Green, Blue), 48V dc with DMX512-RDM control. Ceiling- and wall-mounted. Consists of a body, a box for DMX driver and supports for installation (to be ordered separately). Extruded aluminium body and side box, with zamak die-cast end caps complete with silicone seals. Coated with liquid acrylic paint with a high level of weather and UV ray resistance. The top of the optical assembly is closed by a 3 mm thick transparent glass screen, fixed with silicone. Complete with multi-LED plate in RGB (Red, Green, Blue), side box with 48V dc DMX512-RDM electronic driver (ballast to be ordered separately). Side box with double PG13.5 cable gland and outlet cables for pass-through wiring. Fitted with a PMMA diffusing filter and optics with plastic (methacrylate) lens for Wall Grazing lighting. All external screws used are made of A2 stainless steel. The luminaire technical characteristics conform to EN 60598-1 standards and particular requirements.

Installation

The following accessories are available for installation: adjustable wall-mounted arms in AISI304 stainless steel (200mm code BZJ8) and a plate for surface- or ceiling-mounting made of anodised aluminium (BZJ7).

Coloris

Gris (15)

Poids (Kg)

2.87

Montage

applique murale/en saillie au plafond

Câblage

The product is equipped with a nickel-plated brass PG13.5 double cable gland with H07RN-F rubber outlet cables 5x1.5mm² for pass-through wiring: each cable is set up both for the DMX-RDM signal and for 48V dc power supply. Available for electrical connection: IP68 5-pin linear connector (BZS6), cap for IP68 connectors + 120 Ohm terminating resistor (BZQ7), 48V dc DIN bar electronic ballasts to be ordered separately: 120W (BZ14), 240W (BZ15) and 480W (BZ16). DMX specifications require the insertion of a 120 Ohm terminating resistor to be placed between the DATA+ and DATA- cables of the last product in the line (code BZQ7)

Remarque

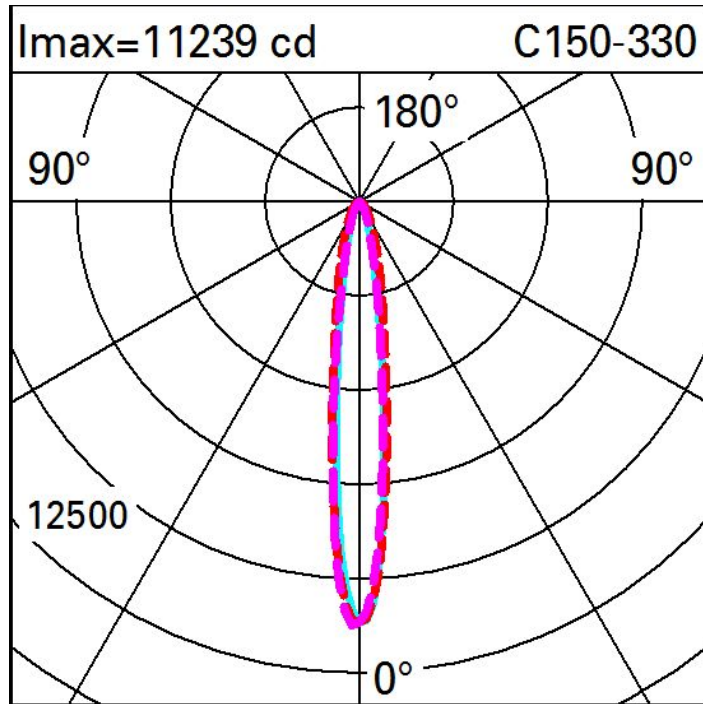
Product complete with LED lamp. DMX specifications require the insertion of a 120 Ohm terminating resistor to be placed between the DATA+ and DATA- cables of the last product in the line (code BZQ7)

Conforme à la norme EN60598-1 et à la réglementation en vigueur (o' à la réglementation relative)

**Données techniques**

Im du système:	1572	Voltage [V]:	48
W du système:	38.6	Code Lampe:	LED
Im source:	2665	Nombre de lampes par groupe optique:	1
W source:	31	Code ZVEI:	LED
Efficacité lumineuse (lm/W, valeurs du système):	40.7	Nombre de groupes optiques:	1
Im en mode secours:	-	Plage de température ambiante opérative:	De -30°C à 50°C.
Flux total émis à un angle de 90° ou plus [Lm]:	0	LED Courant [mA]:	300
Light Output Ratio (L.O.R.) [%]:	59	Facteur de puissance:	Voir Notice de montage
Durée de vie LED 1:	100,000h - L80 - B10 (Ta 25°C)	Control:	DMX-RDM
Durée de vie LED 2:	100,000h - L80 - B10 (Ta 40°C)		

Polaire



Eclairéments

Lux Wall distance = 1m

3											
	0.2	0.4	1	3	7	10	7	3	1	0.6	0.3
2	1	2	4	9	17	23	18	10	5	2	1
	2	3	5	12	24	33	24	12	6	3	2
1	2	3	6	13	23	31	24	14	6	3	2
	2	4	7	13	20	28	21	13	7	4	2
0											
	m	-2	-1	0	1	2	3				