

Letzte Aktualisierung der Informationen: Oktober 2024

**Produktkonfiguration: BQ69**

BQ69: Mini - Wall-/Ceiling-mounted - Warm White LED - 24V/500mA dc - L=262mm - 20° Medium Optic

**Produktcode**

BQ69: Mini - Wall-/Ceiling-mounted - Warm White LED - 24V/500mA dc - L=262mm - 20° Medium Optic

**Beschreibung**

Direct light luminaire, designed to use monochrome LED lamps. Ceiling- and wall-mounted. Consists of a body and supports for installation (to be ordered separately). Extruded aluminium body, with zamak die-cast end caps complete with silicone gaskets. Coated with liquid acrylic paint with a high level of weather and UV ray resistance. The top of the optical assembly is closed by a 3 mm thick transparent glass screen, fixed with silicone. Complete with multi-LED power plate in Warm White with 24V/500mA dc electronic circuit (power supply to be ordered separately); 24V/500mA smart driver allowing constant light flow emission despite variations in the input voltage (from 30V dc to 16V dc). Fitted with satin-finish polycarbonate film and optics with plastic (methacrylate) lens for 20° MEDIUM lighting. All external screws used are made of A2 stainless steel. The luminaire technical characteristics conform to EN 60598-1 standards and particular requirements.

**Installation**

The following accessories are available for installation: adjustable wall-mounted arms in AISI304 stainless steel (L=83mm code BZJ9, 200mm code BZJ8) and a plate for surface- or ceiling-mounting made of anodised aluminium (BZJ6).

**Farben**

Grau (15)

**Gewicht (Kg)**

0.89

**Montage**

Wandanbauleuchte|Deckenanbauleuchte

**Verkabelung**

The product is supplied with a single nickel-plated brass cable gland PG9 and a 2x1mm<sup>2</sup> PVC and polyurethane outlet cable, 2000mm long. For the electrical connection there is an IP68 linear connector (BZK6) and an IP67 junction box with quick-coupling terminals (BZK7). 24V/500mA dc electronic ballasts to be ordered separately: 32W (BZA0), 25W (K980) and 35W (BZM4)

**Anmerkungen**

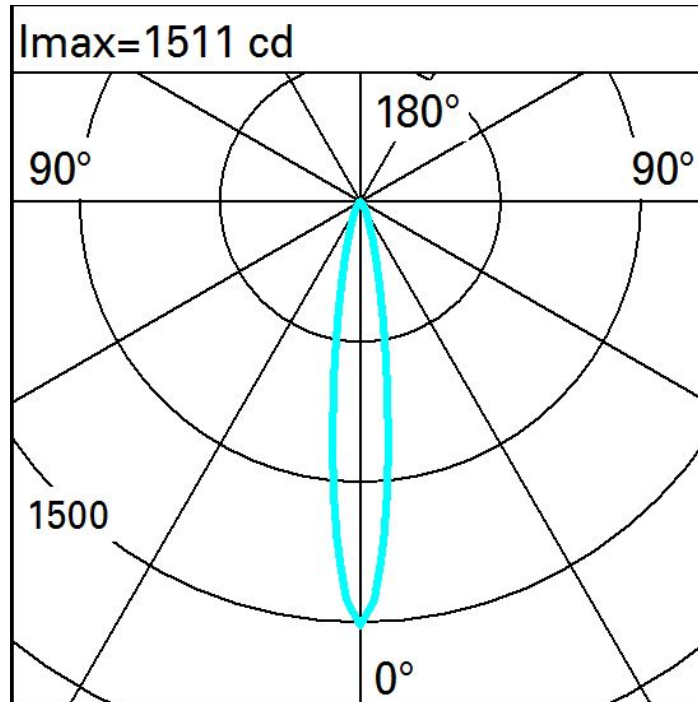
Product complete with LED lamp

Gemäß der Normen EN60598-1 u. Sondernormen

**Technische Daten**

|   |      |  |                               |
|---|------|--|-------------------------------|
| Im System:  | 200  | Farbtemperatur [K]:                    | 2700                          |
| W System:   | 4.7  | MacAdam Step:                          | 3                             |
| Im Lichtquelle:   | 300  | Lebensdauer LED 1:                     | 66,000h - L80 - B10 (Ta 25°C) |
| W Lichtquelle:  | 4.7  | Lebensdauer LED 2:                     | 66,000h - L80 - B10 (Ta 40°C) |
| Lichtausbeute (lm/W, Systemwert):                           | 42.6 | Lampencode:                            | LED                           |
| Im im Notlichtbetrieb:                                      | -    | Anzahl Lampen in Leuchtengehäuse:      | 1                             |
| abgegebener Lichtstrom bei/ über einem Winkel von 90° [lm]: | 0    | ZVEI-Code:                             | LED                           |
| Leuchtenbetriebswirkungsgrad 67 (L.O.R.) [%]:               |      | Anzahl Leuchtengehäuse:                | 1                             |
| Abstrahlwinkel [°]:   | 14°  | Operativer Umgebungstemperaturbereich: | von -30°C von 50°C.           |
| CRI (minimum):  | 80   | LED Strom [mA]:                        | 500                           |

Polardiagramm



Beleuchtungen

